

Height Adjustable Washbasins

- Ergonomic washbasins with adjustable height





CONTENT

ABOUT GRANBERG	4
GRANBERG HEIGHT-ADJUSTABLE WASHBASINS	7
ELECTRICALLY HEIGHT-ADJUSTABLE WASHBASINS	8
Designline 417	10
Basicline 433	18
Basicline 415	26
MANUALLY HEIGHT-ADJUSTABLE WASHBASINS	34
Basicline 401	36
Basicline 403	44
Basicline 406	52
WASHBASIN, MIXER AND ACCESSORIES	60
INSTALLATIONS	67

The story began as early as 1870 in Ringarum, Sweden, when Otto Granberg built his first chairs. He sold these chairs at the local market. Business went well and Otto's joinery began mass-producing furniture. The factory soon relocated to Norrköping and expanded their range with windows, doors and staircases. After almost 30 years, Otto's son, Frans, took over the company. He followed in his father's footsteps, but also produced school furniture and interior joinery products. Just over thirty years later, Frans handed over the company to his sons, Nils, Bängt, Oscar and Erik. They continued to run the company the way their father and grandfather had.

Granberg quickly became known for the lifetime guarantee of its products. The quality was high and if anything were to break, the sons ensured it was repaired or replaced. A promise that still applies to this day. Personal service and reliable products. 90 years after Otto began making chairs, the company changed direction and Granberg's modern history began in 1960. The company started to develop products for the disabled and today is a world leader within this sector.



Quality has been an important part of our brand ever since Otto Granberg founded our company back in 1870. As a family business we are proud of the products we create. We therefore only supply quality products that we know well and with which we have been working for many years. We always provide a 2 year warranty for our products in order to make our customers feel even more secure.

For your safety, we work solely with CE marked lifting systems that have undergone risk analyses and tests. Our lifting systems are based on proven technology and have a built-in safety system that stops the moving parts if anything is in the way.





SINCE 1870

GRANBERG

Granberg's height-adjustable washbasins for the handicapped and elderly make bathrooms function for all of us.

We all know how important a good start to the day can be. And as often as not, the day begins in the bathroom. With this in mind, we all understand why everything in the bathroom must work as conveniently as possible.



Electric height-adjustable washbasins



- Simple and convenient height adjustment
- The user is able to adjust the height
- Choose from several ergonomically designed washbasin models

Manually height-adjustable washbasins



- For public spaces or other places where height does not need adjusting on a daily basis
- Choose from several ergonomically designed washbasin models

Washbasin, mixer and accessories



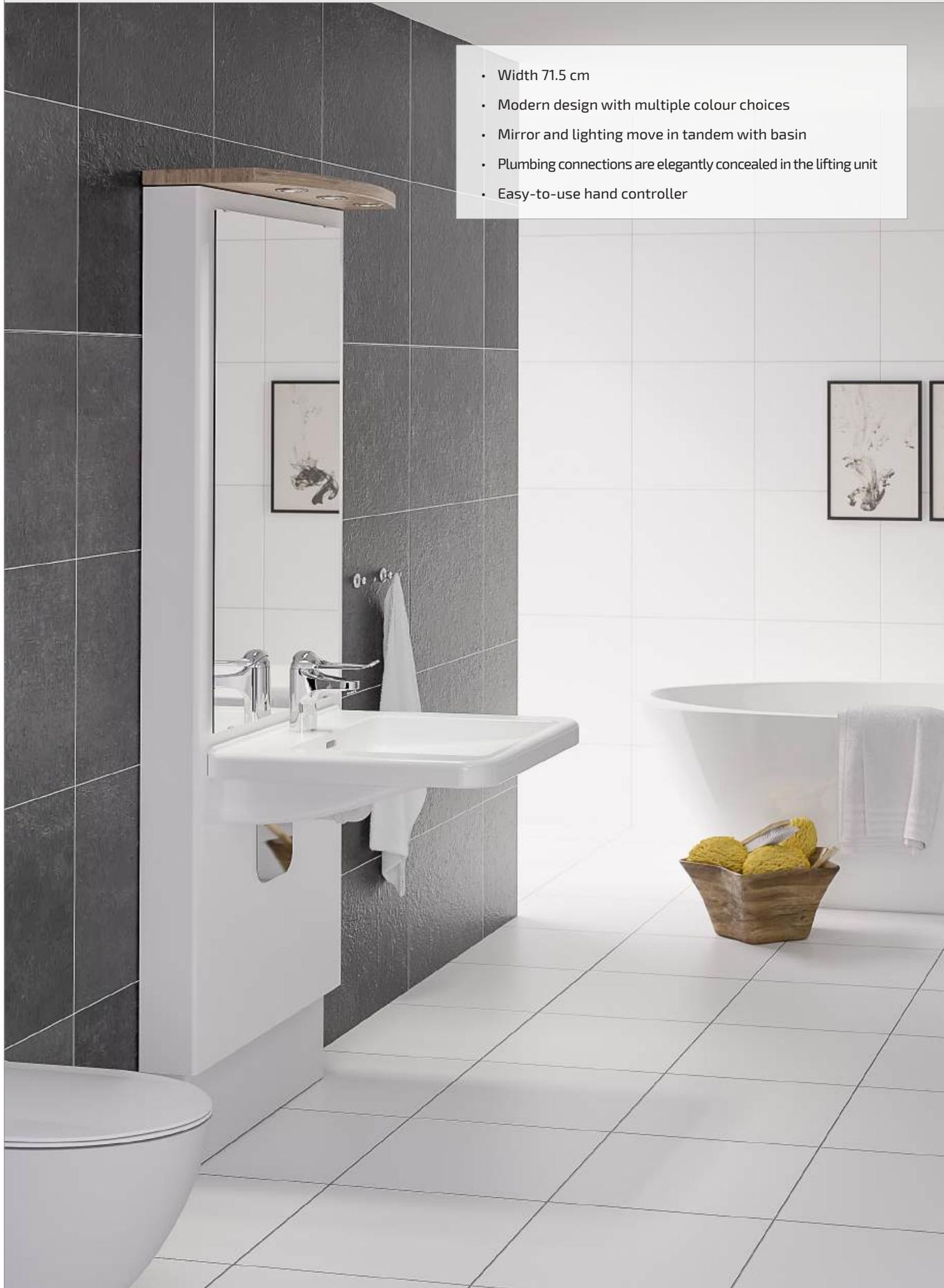
- Functional washbasins with good ergonomics
- Mixer with extended lever
- Flexible hoses and safety system

Product highlights

Electric height-adjustable washbasins

Designline 417

- Width 71.5 cm
- Modern design with multiple colour choices
- Mirror and lighting move in tandem with basin
- Plumbing connections are elegantly concealed in the lifting unit
- Easy-to-use hand controller



Basicline 433



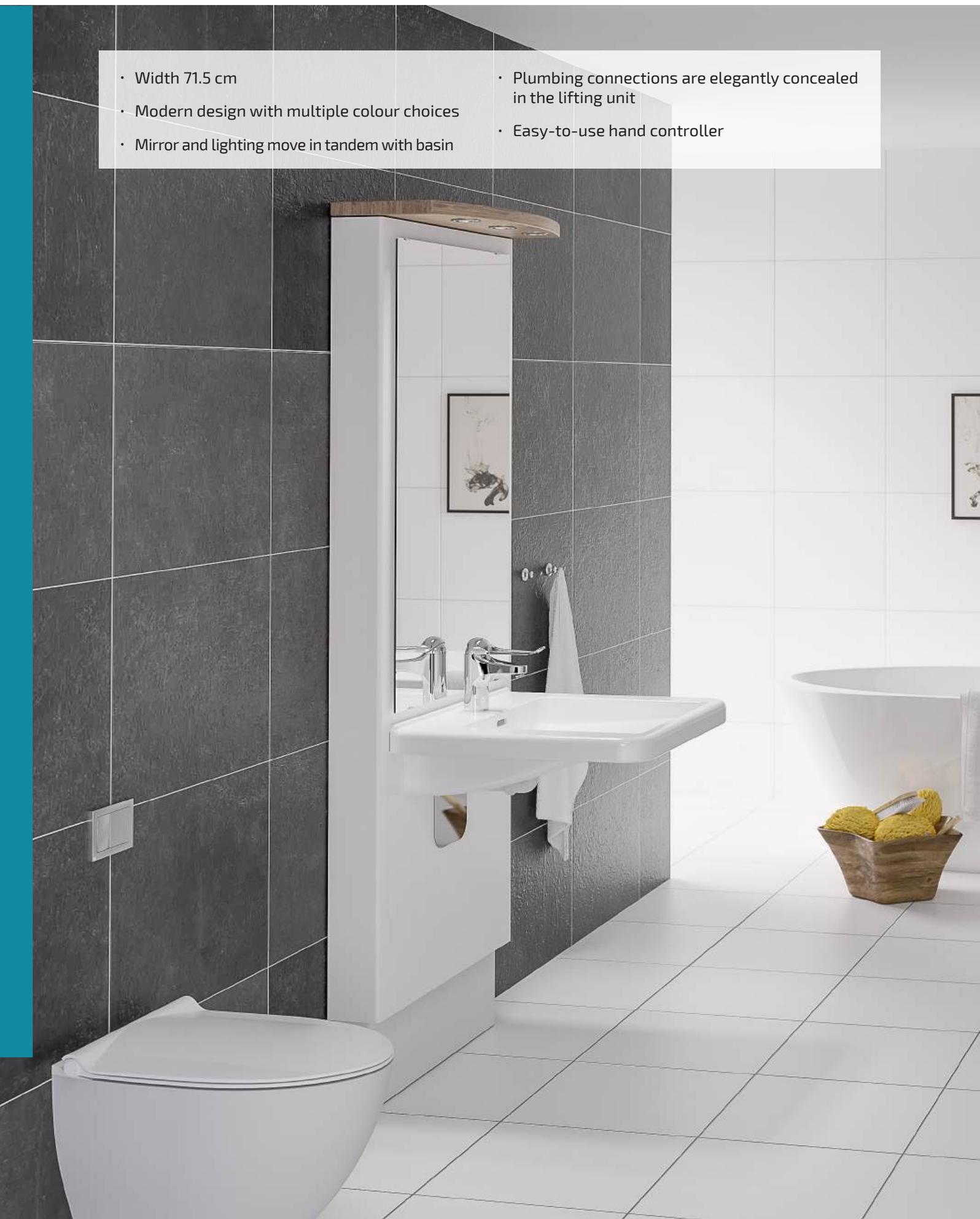
Basicline 415



Designline 417

Electric height-adjustable washbasin module with mirror and lighting

- Width 71.5 cm
- Modern design with multiple colour choices
- Mirror and lighting move in tandem with basin
- Plumbing connections are elegantly concealed in the lifting unit
- Easy-to-use hand controller





417-11-05



- Overall depth 56.7 cm
- Compact washbasin for children or confined spaces

417-01-05



- Overall depth 61.2 cm
- Wheelchair accessible washbasin with shallow bowl and concave front edge

417-03-05



- Overall depth 67.2 cm
- Wheelchair accessible washbasin with shallow bowl, concave front edge and easy-to-grip sides

417-10-05



- Overall depth 67.2 cm
- Wheelchair accessible washbasin with shallow bowl, generous flat surfaces and easy-to-grip sides

417-15-05



- Overall depth 67.2 cm
- Wheelchair accessible washbasin with shallow bowl and integrated gripping slots



Functions and advantages

- Legroom under the washbasin, 445 mm
- Distance to mixer lever, 225 mm
- Compact washbasin for children or confined spaces

Standard equipment

- Washbasin (425-011)
- Mixer (425-105)
- Mirror and lighting bar
- Flexible drain hose with drainage trap
- Flexible water hoses
- Hand controller with coiled cable

Optional extras

- Safety breaker



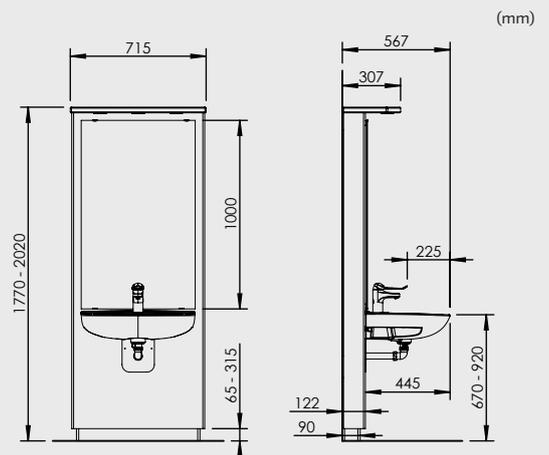
Specifications

Lift model	Electric steplessly height-adjustable washbasin module with mirror and lighting
Legroom	445 mm
Mixer	150 mm lever. Distance to mixer lever, 225 mm
Overall depth from wall	567 mm
Washbasin	Porcelain washbasin 600x445 mm, incl. overflow and bottom drain with plug
Max load, washbasin	50 kg
Operation	Cable controller with hook, IP65
Width	715 mm
Installation	Wall mounted
Height adjustment	250 mm
Speed	18 mm/sec.
Lifting force	100 kg
Electrical connection	Plug for 230 V, max 1.5A
Lighting	Lighting ramp: Solid oiled oak with 3 recessed spotlights (connected to external power switch) Spotlights: LED 3W, 3000K Transformer: 230V
Enclosure class	IPX4
Safety	Safety switch available as an option
Material-specification	Back panel: Plywood coated with high-pressure laminate Mirror: 1000/600/4 mm in silver-backed float glass with ground edges incl. mirror clips Mounting cover: White plastic
Plumbing connections	Flexible water hoses and drain hose with water trap
	CE

Art. no.	Designation
 417-11-05-01	DESIGNLINE 417-11-0501, White - incl. single lever mixer with 150 mm lever
 417-11-05-10	DESIGNLINE 417-11-0510, Black - incl. single lever mixer with 150 mm lever

01 - White laminate (Formica F7949, white)
10 - Black laminate (Formica 2253, black)

Security system Page 69





Functions and advantages

- Legroom under the washbasin, 490 mm
- Distance to mixer lever, 265 mm
- Wheelchair accessible washbasin with shallow bowl and concave front edge

Standard equipment

- Washbasin (425-001)
- Mixer (425-105)
- Mirror and lighting bar
- Flexible drain hose with drainage trap
- Flexible water hoses
- Hand controller with coiled cable

Optional extras

- Safety breaker

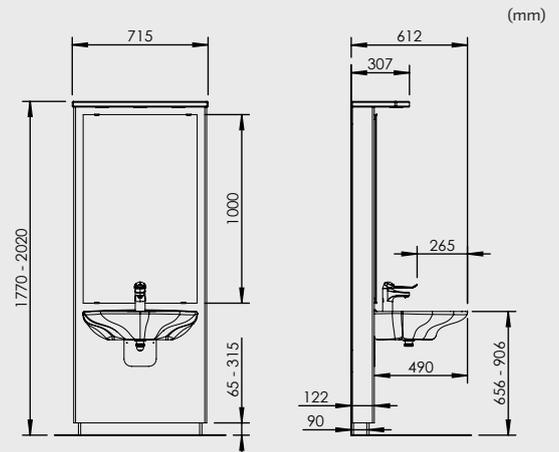
Specifications

Lift model	Electric steplessly height-adjustable washbasin module with mirror and lighting
Legroom	490 mm
Mixer	150 mm lever. Distance to mixer lever 265 mm
Overall depth from wall	612 mm
Washbasin	Porcelain washbasin 600x490 mm, incl. overflow and bottom drain with plug
Max load, washbasin	50 kg
Operation	Cable controller with hook, IP65
Width	715 mm
Installation	Wall mounted
Height adjustment	250 mm
Speed	18 mm/sec.
Lifting force	100 kg
Electrical connection	Plug for 230 V, max 1.5A
Lighting	Lighting ramp: Solid oiled oak with 3 recessed spotlights (connected to external power switch) Spotlights: LED 3W, 3000K Transformer: 230V
Enclosure class	IPX4
Safety	Safety switch available as an option
Material-specification	Back panel: Plywood coated with high-pressure laminate Mirror: 1000/600/4 mm in silver-backed float glass with ground edges incl. mirror clips Mounting cover: White plastic
Plumbing connections	Flexible water hoses and drain hose with water trap
	CE

Art. no.	Designation
 417-01-05-01	DESIGNLINE 417-01-0501, White - incl. single lever mixer with 150 mm lever
 417-01-05-10	DESIGNLINE 417-01-0510, Black - incl. single lever mixer with 150 mm lever

01 - White laminate (Formica F7949, white)
10 - Black laminate (Formica 2253, black)

Security system Page 69





Functions and advantages

- Legroom under the washbasin, 550 mm
- Distance to mixer lever, 324 mm
- Wheelchair accessible washbasin with shallow bowl, concave front edge and easy-to-grip sides

Standard equipment

- Washbasin (425-003)
- Mixer (425-105)
- Mirror and lighting bar
- Flexible drain hose with drainage trap
- Flexible water hoses
- Hand controller with coiled cable

Optional extras

- Safety breaker

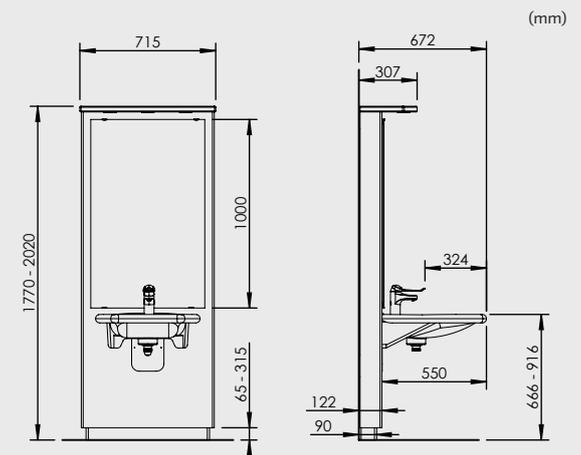
Specifications

Lift model	Electric steplessly height-adjustable washbasin module with mirror and lighting
Legroom	550 mm
Mixer	150 mm lever. Distance to mixer lever, 324 mm
Overall depth from wall	672 mm
Washbasin	Porcelain washbasin 550x550 mm, incl. overflow and bottom drain with plug
Max load, washbasin	50 kg
Operation	Cable controller with hook, IP65
Width	715 mm
Installation	Wall mounted
Height adjustment	250 mm
Speed	18 mm/sec.
Lifting force	100 kg
Electrical connection	Plug for 230 V, max 1.5A
Lighting	Lighting ramp: Solid oiled oak with 3 recessed spotlights (connected to external power switch) Spotlights: LED 3W, 3000K Transformer: 230V
Enclosure class	IPX4
Safety	Safety switch available as an option
Material-specification	Back panel: Plywood coated with high-pressure laminate Mirror: 1000/600/4 mm in silver-backed float glass with ground edges incl. mirror clips Mounting cover: White plastic
Plumbing connections	Flexible water hoses and drain hose with water trap
	CE

Art. no.	Designation
 417-03-05-01	DESIGNLINE 417-03-0501, White - incl. single lever mixer with 150 mm lever
 417-03-05-10	DESIGNLINE 417-03-0510, Black - incl. single lever mixer with 150 mm lever

01 - White laminate (Formica F7949, white)
10 - Black laminate (Formica 2253, black)

Security system Page 69





Functions and advantages

- Legroom under the washbasin, 550 mm
- Distance to mixer lever, 330 mm
- Wheelchair accessible washbasin with shallow bowl, generous flat surfaces and easy-to-grip sides

Standard equipment

- Washbasin (425-010)
- Mixer (425-105)
- Mirror and lighting bar
- Flexible drain hose with drainage trap
- Flexible water hoses
- Hand controller with coiled cable

Optional extras

- Safety breaker



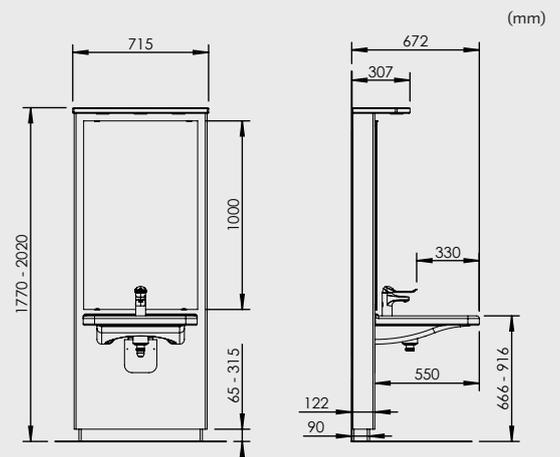
Specifications

Lift model	Electric steplessly height-adjustable washbasin module with mirror and lighting
Legroom	550 mm
Mixer	150 mm lever. Distance to mixer lever, 330 mm
Overall depth from wall	672 mm
Washbasin	Porcelain washbasin 600x550 mm, incl. overflow and bottom drain with plug
Max load, washbasin	50 kg
Operation	Cable controller with hook, IP65
Width	715 mm
Installation	Wall mounted
Height adjustment	250 mm
Speed	18 mm/sec.
Lifting force	100 kg
Electrical connection	Plug for 230 V, max 1.5A
Lighting	Lighting ramp: Solid oiled oak with 3 recessed spotlights (connected to external power switch) Spotlights: LED 3W, 3000K Transformer: 230V
Enclosure class	IPX4
Safety	Safety switch available as an option
Material-specification	Back panel: Plywood coated with high-pressure laminate Mirror: 1000/600/4 mm in silver-backed float glass with ground edges incl. mirror clips Mounting cover: White plastic
Plumbing connections	Flexible water hoses and drain hose with water trap
	CE

Art. no.	Designation
 417-10-05-01	DESIGNLINE 417-10-0501, White - incl. single lever mixer with 150 mm lever
 417-10-05-10	DESIGNLINE 417-10-0510, Black - incl. single lever mixer with 150 mm lever

01 - White laminate (Formica F7949, white)
10 - Black laminate (Formica 2253, black)

Security system Page 69





Functions and advantages

- Legroom under the washbasin, 550 mm
- Distance to mixer lever, 315 mm
- Wheelchair accessible washbasin with shallow bowl and integrated gripping slots

Standard equipment

- Washbasin, excl. overflow (425-015)
- Mixer (425-105)
- Mirror and lighting bar
- Flexible drain hose with drainage trap
- Flexible water hoses
- Hand controller with coiled cable

Optional extras

- Safety breaker

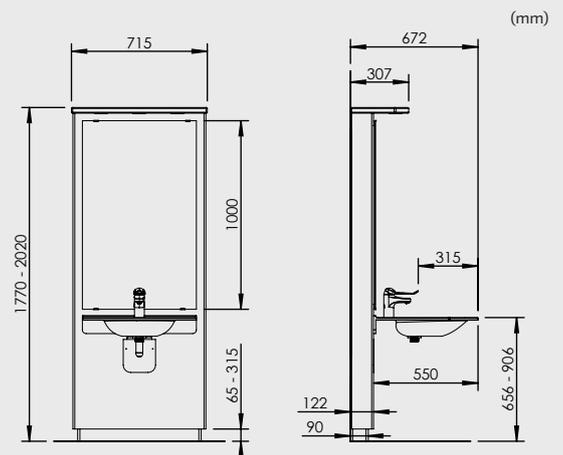
Specifications

Lift model	Electric steplessly height-adjustable washbasin module with mirror and lighting
Legroom	550 mm
Mixer	150 mm lever. Distance to mixer lever, 315 mm
Overall depth from wall	672 mm
Washbasin	Wash basin of solid surface material with integrated grab handles 600x550 mm, excl. overflow
Max load, washbasin	50 kg
Operation	Cable controller with hook, IP65
Width	715 mm
Installation	Wall mounted
Height adjustment	250 mm
Speed	18 mm/sec.
Lifting force	100 kg
Electrical connection	Plug for 230 V, max 1.5A
Lighting	Lighting ramp: Solid oiled oak with 3 recessed spotlights (connected to external power switch) Spotlights: LED 3W, 3000K Transformer: 230V
Enclosure class	IPX4
Safety	Safety switch available as an option
Material-specification	Back panel: Plywood coated with high-pressure laminate Mirror: 1000/600/4 mm in silver-backed float glass with ground edges incl. mirror clips Mounting cover: White plastic
Plumbing connections	Flexible water hoses and drain hose with water trap
	CE

Art. no.	Designation
 417-15-05-01	DESIGNLINE 417-15-0501, White - incl. single lever mixer with 150 mm lever
 417-15-05-10	DESIGNLINE 417-15-0510, Black - incl. single lever mixer with 150 mm lever

01 - White laminate (Formica F7949, white)
10 - Black laminate (Formica 2253, black)

Security system Page 59





Functions and advantages

- Basin lifter for the optional washbasin

Standard equipment

- Mirror and lighting bar
- Hand controller with coiled cable

Recommended options

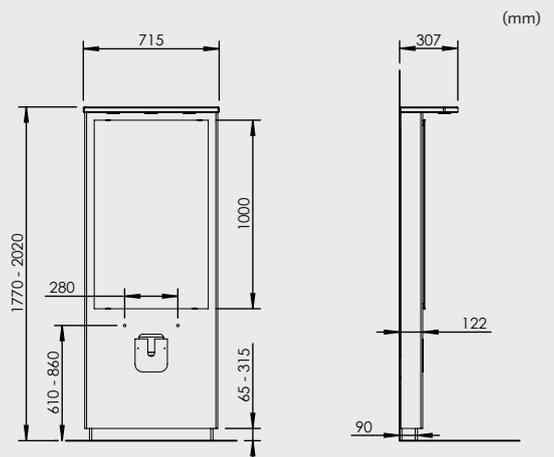
- Washbasin
- Mixer
- Flexible water hoses
- Flexible drain hose with drainage trap
- Safety breaker

Specifications

Lift model	Electric steplessly height-adjustable washbasin module with mirror and lighting
Operation	Cable controller with hook, IP65
Width	715 mm
Installation	Wall mounted
Height adjustment	250 mm
Speed	18 mm/sec.
Lifting force	100 kg
Electrical connection	Plug for 230 V, max 1.5A
Lighting	Lighting ramp: Solid oiled oak with 3 recessed spotlights (connected to external power switch) Spotlights: LED 3W, 3000K Transformer: 230V
Enclosure class	IPX4
Safety	Safety switch available as an option
Suitable basins	Max. weight: 40 kg Max width 670 mm Max depth: 600 mm Attachment: Washbasin, bolt installation centre-to-centre 280 mm
Material-specification	Back panel: Plywood coated with high-pressure laminate Mirror: 1000/600/4 mm in silver-backed float glass with ground edges incl. mirror clips Mounting cover: White plastic
Plumbing connections	Flexible water hoses and drain hose with water trap
CE	

Art. no.	Designation
 417-0-01	DESIGNLINE 417-0-01, White - Excl. water hoses and drain hose
 417-0-10	DESIGNLINE 417-0-10, Black - Excl. water hoses and drain hose

<p>Washbasin</p>  <p>Page 62</p>	<p>Mixer</p>  <p>Page 65</p>	<p>Hoses</p>  <p>Page 68</p>
<p>Safety system</p>  <p>Page 69</p>	<p>Control buttons</p>  <p>Page 69</p>	<p>01 - White laminate (Formica F7949, white) 10 -Black laminate (Formica 2253, black)</p>



Basicline 433

Electric height-adjustable washbasin module with mirror and lighting

- Width 62 cm
- Integrated safety switch
- Mirror and lighting move in tandem with basin
- Free space below the unit for plumbing connections
- Easy-to-use hand controller





433-11-05



- Overall depth 60.0 cm
- Compact washbasin for children or confined spaces

433-01-05



- Overall depth 64.6 cm
- Wheelchair accessible washbasin with shallow bowl and concave front edge

433-03-05



- Overall depth 70.6 cm
- Wheelchair accessible washbasin with shallow bowl, concave front edge and easy-to-grip sides

433-10-05



- Overall depth 70.6 cm
- Wheelchair accessible washbasin with shallow bowl, generous flat surfaces and easy-to-grip sides

433-15-05



- Overall depth 70.6 cm
- Wheelchair accessible washbasin with shallow bowl and integrated gripping slots



Functions and advantages

- Legroom under the washbasin, 600 mm
- Distance to mixer lever, 225 mm
- Compact washbasin for children or confined spaces

Standard equipment

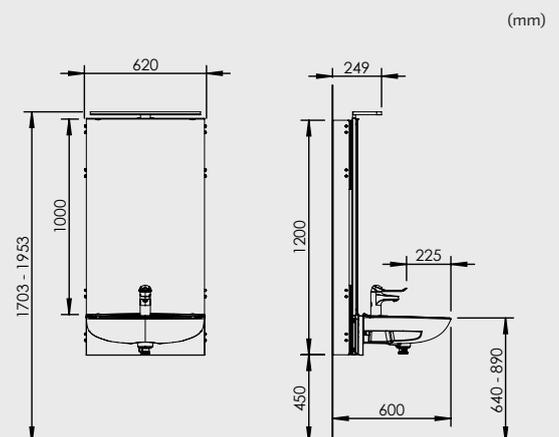
- Washbasin (425-011)
- Mixer (425-105)
- Mirror and lighting
- Flexible drain hose with drainage trap
- Flexible water hoses
- Hand controller with coiled cable
- Safety breaker

Specifications

Lift model	Electric steplessly height-adjustable washbasin module with mirror and lighting
Legroom	600 mm
Mixer	150 mm lever. Distance to mixer lever, 225 mm
Overall depth from wall	600 mm
Washbasin	Porcelain washbasin 600x445 mm, incl. overflow and bottom drain with plug
Max load, washbasin	50 kg
Operation	Cable controller with hook, IP65
Width	620 mm
Installation	Wall mounted
Height adjustment	250 mm
Speed	18 mm/sec.
Lifting force	100 kg
Electrical connection	Plug for 230 V, max 1.5A
Lighting	Aluminium/plastic, colour: chrome LED lighting, 7W, 4000 k, Non-Dimmable (connects to external power) Transformer: 230 V
Enclosure class	IPX4
Safety	The safety switch will stop the basin from lowering if it comes into contact with the user's legs.
Material-specification	Back panel: White melamine covered chipboard W899 with 2 mm ABS strip all round Mounting plate, washbasin: Powder coated aluzinc-coated sheet steel, white RAL 9010 Mirror: 1000x600x4 mm in silver-backed float glass with ground edges incl. mirror clips Safety switch and other sheet metal parts: Powder-coated sheet steel
Plumbing connections	Flexible water hoses and drain hose with water trap
	CE



Art. no.	Designation
433-11-05	BASICLINE 433-11-05 - incl. single lever mixer with 150 mm lever
	





Functions and advantages

- Legroom under the washbasin, 646 mm
- Distance to mixer lever, 265 mm
- Wheelchair accessible washbasin with shallow bowl and concave front edge

Standard equipment

- Washbasin (425-001)
- Mixer (425-105)
- Mirror and lighting
- Flexible drain hose with drainage trap
- Flexible water hoses
- Hand controller with coiled cable
- Safety breaker

Specifications

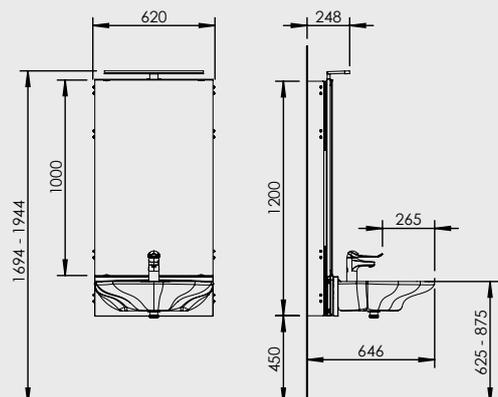
Lift model	Electric steplessly height-adjustable washbasin module with mirror and lighting
Legroom	646 mm
Mixer	150 mm lever. Distance to mixer lever, 265 mm
Overall depth from wall	646 mm
Washbasin	Porcelain washbasin 600x490 mm, incl. overflow and bottom drain with plug
Max load, washbasin	50 kg
Operation	Cable controller with hook, IP65
Width	620 mm
Installation	Wall mounted
Height adjustment	250 mm
Speed	18 mm/sec.
Lifting force	100 kg
Electrical connection	Plug for 230 V, max 1.5A
Lighting	Aluminium/plastic, colour: chrome LED lighting, 7W, 4000 k, Non-Dimmable (connects to external power) Transformer: 230 V
Enclosure class	IPX4
Safety	The safety switch will stop the basin from lowering if it comes into contact with the user's legs.
Material-specification	Back panel: White melamine covered chipboard W899 with 2 mm ABS strip all round Mounting plate, washbasin: Powder coated aluzinc-coated sheet steel, white RAL 9010 Mirror: 1000/600/4 mm in silver-backed float glass with ground edges incl. mirror clips Safety switch and other sheet metal parts: Powder-coated sheet steel
Plumbing connections	Flexible water hoses and drain hose with water trap



Art. no.	Designation
433-01-05	BASICLINE 433-01-05 - incl. single lever mixer with 150 mm lever



(mm)





Functions and advantages

- Legroom under the washbasin, 706 mm
- Distance to mixer lever, 324 mm
- Wheelchair accessible washbasin with shallow bowl, concave front edge and easy-to-grip sides

Standard equipment

- Washbasin (425-003)
- Mixer (425-105)
- Mirror and lighting
- Flexible drain hose with drainage trap
- Flexible water hoses
- Hand controller with coiled cable
- Safety breaker

Specifications

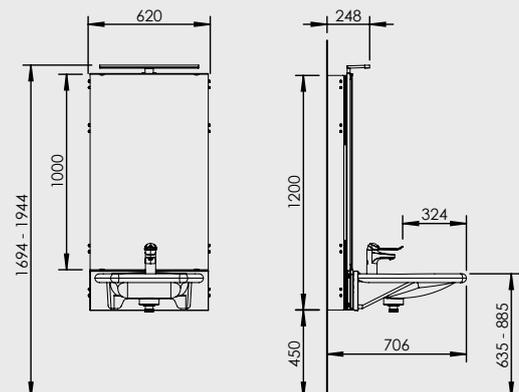
Lift model	Electric steplessly height-adjustable washbasin module with mirror and lighting
Legroom	706 mm
Mixer	150 mm lever. Distance to mixer lever, 324 mm
Overall depth from wall	706 mm
Washbasin	Porcelain washbasin 550x550 mm, incl. overflow and bottom drain with plug
Max load, washbasin	50 kg
Operation	Cable controller with hook, IP65
Width	620 mm
Installation	Wall mounted
Height adjustment	250 mm
Speed	18 mm/sec.
Lifting force	100 kg
Electrical connection	Plug for 230 V, max 1.5A
Lighting	Aluminium/plastic, colour: chrome LED lighting, 7W, 4000 k, Non-Dimmable (connects to external power) Transformer: 230 V
Enclosure class	IPX4
Safety	The safety switch will stop the basin from lowering if it comes into contact with the user's legs.
Material-specification	Back panel: White melamine covered chipboard W899 with 2 mm ABS strip all round Mounting plate, washbasin: Powder coated aluzinc-coated sheet steel, white RAL 9010 Mirror: 1000/600/4 mm in silver-backed float glass with ground edges incl. mirror clips Safety switch and other sheet metal parts: Powder-coated sheet steel
Plumbing connections	Flexible water hoses and drain hose with water trap



Art. no.	Designation
433-03-05	BASICLINE 433-03-05 - incl. single lever mixer with 150 mm lever



(mm)





Functions and advantages

- Legroom under the washbasin, 706 mm
- Distance to mixer lever, 330 mm
- Wheelchair accessible washbasin with shallow bowl, generous flat surfaces and easy-to-grip sides

Standard equipment

- Washbasin (425-010)
- Mixer (425-105)
- Mirror and lighting
- Flexible drain hose with drainage trap
- Flexible water hoses
- Hand controller with coiled cable
- Safety breaker

Specifications

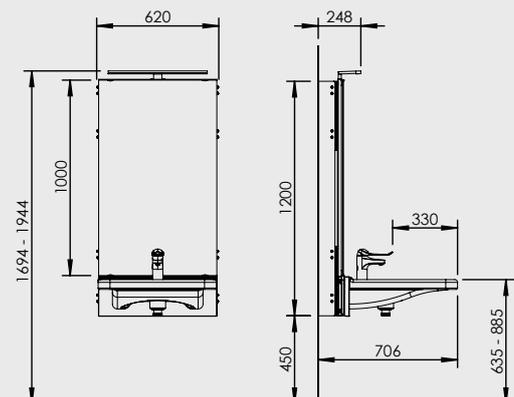
Lift model	Electric steplessly height-adjustable washbasin module with mirror and lighting
Legroom	706 mm
Mixer	150 mm lever. Distance to mixer lever, 330 mm
Overall depth from wall	706 mm
Washbasin	Porcelain washbasin 600x550 mm, incl. overflow and bottom drain with plug
Max load, washbasin	50 kg
Operation	Cable controller with hook, IP65
Width	620 mm
Installation	Wall mounted
Height adjustment	250 mm
Speed	18 mm/sec.
Lifting force	100 kg
Electrical connection	Plug for 230 V, max 1.5A
Lighting	Aluminium/plastic, colour: chrome LED lighting, 7W, 4000 k, Non-Dimmable (connects to external power) Transformer: 230 V
Enclosure class	IPX4
Safety	The safety switch will stop the basin from lowering if it comes into contact with the user's legs.
Material-specification	Back panel: White melamine covered chipboard W899 with 2 mm ABS strip all round Mounting plate, washbasin: Powder coated aluzinc-coated sheet steel, white RAL 9010 Mirror: 1000/600/4 mm in silver-backed float glass with ground edges incl. mirror clips Safety switch and other sheet metal parts: Powder-coated sheet steel
Plumbing connections	Flexible water hoses and drain hose with water trap



Art. no.	Designation
433-10-05	BASICLINE 433-10-05 - incl. single lever mixer with 150 mm lever



(mm)





Functions and advantages

- Legroom under the washbasin, 706 mm
- Distance to mixer lever, 315 mm
- Wheelchair accessible washbasin with shallow bowl and integrated gripping slots

Standard equipment

- Washbasin, excl. overflow (425-015)
- Mixer (425-105)
- Mirror and lighting
- Flexible drain hose with drainage trap
- Flexible water hoses
- Hand controller with coiled cable
- Safety breaker

Specifications

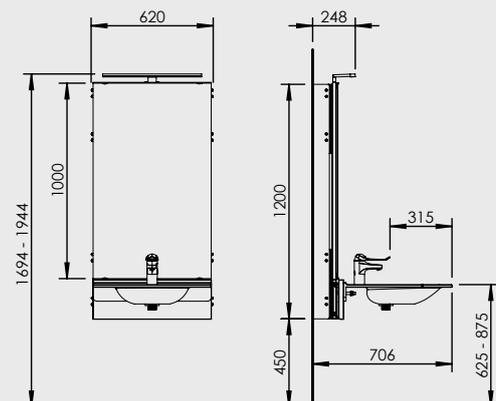
Lift model	Electric steplessly height-adjustable washbasin module with mirror and lighting
Legroom	706 mm
Mixer	150 mm lever. Distance to mixer lever, 315 mm
Overall depth from wall	706 mm
Washbasin	Wash basin of solid surface material with integrated grab handles 600x550 mm, excl. overflow
Max load, washbasin	50 kg
Operation	Cable controller with hook, IP65
Width	620 mm
Installation	Wall mounted
Height adjustment	250 mm
Speed	18 mm/sec.
Lifting force	100 kg
Electrical connection	Plug for 230 V, max 1.5A
Lighting	Aluminium/plastic, colour: chrome LED lighting, 7W, 4000 k, Non-Dimmable (connects to external power) Transformer: 230 V
Enclosure class	IPX4
Safety	The safety switch will stop the basin from lowering if it comes into contact with the user's legs.
Material-specification	Back panel: White melamine covered chipboard W899 with 2 mm ABS strip all round Mounting plate, washbasin: Powder coated aluzinc-coated sheet steel, white RAL 9010 Mirror: 1000/600/4 mm in silver-backed float glass with ground edges incl. mirror clips Safety switch and other sheet metal parts: Powder-coated sheet steel
Plumbing connections	Flexible water hoses and drain hose with water trap



Art. no.	Designation
433-15-05	BASICLINE 433-15-05 - incl. single lever mixer with 150 mm lever



(mm)





Functions and advantages

- Basin lifter for the optional washbasin

Standard equipment

- Mirror and lighting
- Hand controller with coiled cable

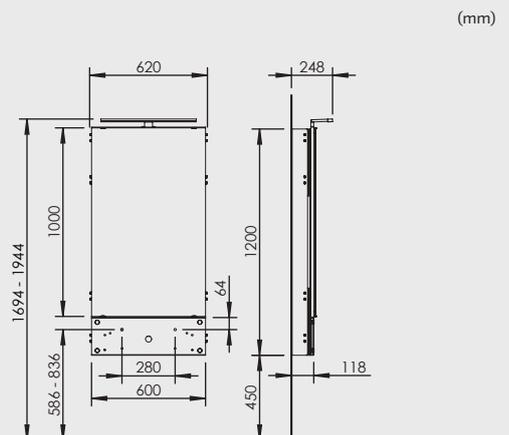
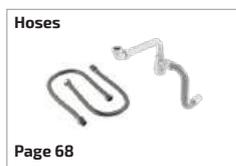
Recommended options

- Washbasin
- Mixer
- Flexible water hoses
- Flexible drain hose with drainage trap
- Safety breaker

Specifications

Lift model	Electric steplessly height-adjustable washbasin module with mirror and lighting
Operation	Cable controller with hook, IP65
Width	620 mm
Installation	Wall mounted
Height adjustment	250 mm
Speed	18 mm/sec.
Lifting force	100 kg
Electrical connection	Plug for 230 V, max 1.5A
Lighting	Aluminium/plastic, colour: chrome LED lighting, 7W, 4000 k, Non-Dimmable (connects to external power) Transformer: 230 V
Enclosure class	IPX4
Safety	Safety switch available as an option
Suitable basins	Max. weight: 40 kg Max width 600 mm Max depth: 600 mm Attachment: Washbasin, bolt installation centre-to-centre 280 mm
Material-specification	Back panel: White melamine covered chipboard W899 with 2 mm ABS strip all round Mounting plate, washbasin: Powder coated aluzinc-coated sheet steel, white RAL 9010 Mirror: 1000/600/4 mm in silver-backed float glass with ground edges incl. mirror clips Other sheet metal parts Powder-coated sheet steel
Plumbing connections	Flexible drain hose with drainage trap
	CE

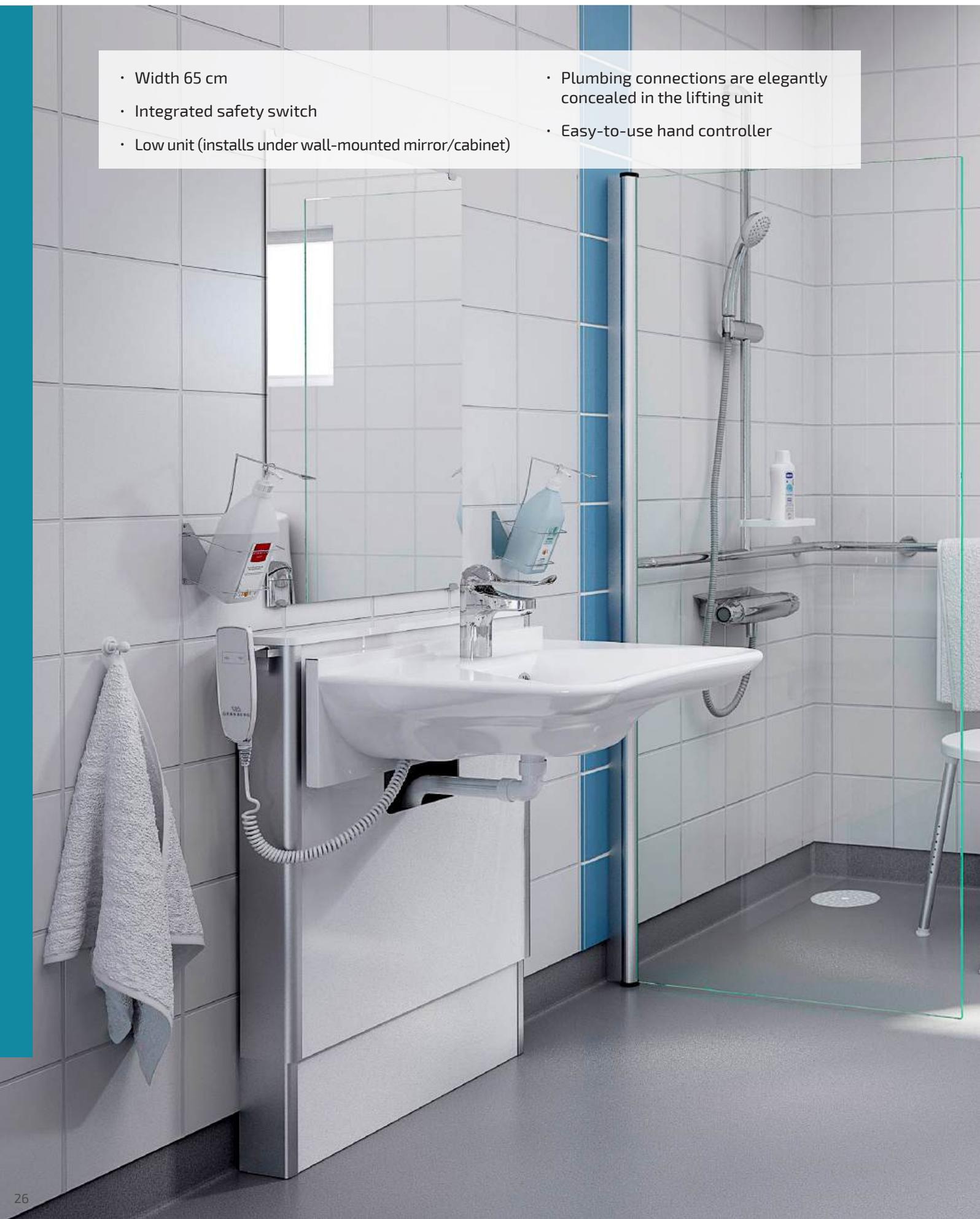
Art. no.	Designation
433-0.	BASICLINE 433-0 - Excl. safety switch , water hoses and drain hose



Basicline 415

Electrically height-adjustable washbasin, low-profile

- Width 65 cm
- Integrated safety switch
- Low unit (installs under wall-mounted mirror/cabinet)
- Plumbing connections are elegantly concealed in the lifting unit
- Easy-to-use hand controller





415-11-05



- Overall depth 59.2 cm
- Compact washbasin for children or confined spaces

415-01-05



- Overall depth 63.5 cm
- Wheelchair accessible washbasin with shallow bowl and concave front edge

415-03-05



- Overall depth 69.5 cm
- Wheelchair accessible washbasin with shallow bowl, concave front edge and easy-to-grip sides

415-10-05



- Overall depth 69.5 cm
- Wheelchair accessible washbasin with shallow bowl, generous flat surfaces and easy-to-grip sides

415-15-05



- Overall depth 69.5 cm
- Wheelchair accessible washbasin with shallow bowl and integrated gripping slots

Functions and advantages

- Legroom under the washbasin, 482 mm
- Distance to mixer lever, 225 mm
- Compact washbasin for children or confined spaces

Standard equipment

- Washbasin (425-011)
- Mixer (425-105)
- Flexible drain hose with drainage trap
- Flexible water hoses
- Hand controller with coiled cable
- Safety breaker

Specifications

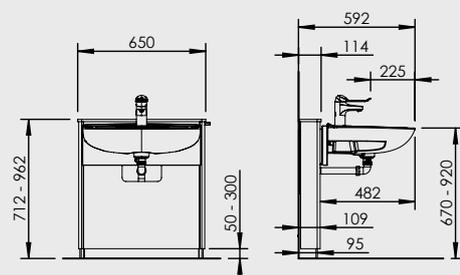
Lift model	Electric, steplessly adjustable washbasin unit, low-profile
Legroom	482 mm
Mixer	150 mm lever. Distance to mixer lever, 225 mm
Overall depth from wall	592 mm
Washbasin	Porcelain washbasin 600x445 mm, incl. overflow and bottom drain with plug
Max load, washbasin	50 kg
Operation	Cable controller with hook, IP65
Width	650 mm
Installation	Wall mounted
Height adjustment	250 mm
Speed	18 mm/sec.
Lifting force	100 kg
Electrical connection	Plug for 230 V, max 1.5A
Enclosure class	IPX4
Safety	The safety switch will stop the basin from lowering if it comes into contact with the user's legs.
Material-specification	Back panel: 4 mm compact laminate with sides of anodised aluminium Top shelf: 12 mm compact laminate Safety switch: Powder-coated sheet steel Installation cover 4 mm compact laminate
Plumbing connections	Flexible water hoses and drain hose with water trap
	CE



Art. no.	Designation
415-11-05	BASICLINE 415-11-05 - incl. single lever mixer with 150 mm lever



(mm)



Functions and advantages

- Legroom under the washbasin, 526 mm
- Distance to mixer lever, 265 mm
- Wheelchair accessible washbasin with shallow bowl and concave front edge

Standard equipment

- Washbasin (425-001)
- Mixer (425-105)
- Flexible drain hose with drainage trap
- Flexible water hoses
- Hand controller with coiled cable
- Safety breaker

Specifications

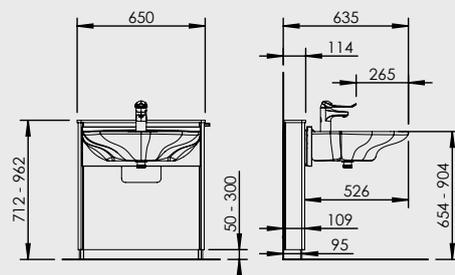
Lift model	Electric, steplessly adjustable washbasin unit, low-profile
Legroom	526 mm
Mixer	150 mm lever. Distance to mixer lever, 265 mm
Overall depth from wall	635 mm
Washbasin	Porcelain washbasin 600x490 mm, incl. overflow and bottom drain with plug
Max load, washbasin	50 kg
Operation	Cable controller with hook, IP65
Width	650 mm
Installation	Wall mounted
Height adjustment	250 mm
Speed	18 mm/sec.
Lifting force	100 kg
Electrical connection	Plug for 230 V, max 1.5A
Enclosure class	IPX4
Safety	The safety switch will stop the basin from lowering if it comes into contact with the user's legs.
Material-specification	Back panel: 4 mm compact laminate with sides of anodised aluminium Top shelf: 12 mm compact laminate Safety switch: Powder-coated sheet steel Installation cover 4 mm compact laminate
Plumbing connections	Flexible water hoses and drain hose with water trap
	CE



Art. no.	Designation
415-01-05	BASICLINE 415-01-05 - incl. single lever mixer with 150 mm lever



(mm)



Functions and advantages

- Legroom under the washbasin, 586 mm
- Distance to mixer lever, 324 mm
- Wheelchair accessible washbasin with shallow bowl, concave front edge and easy-to-grip sides

Standard equipment

- Washbasin (425-003)
- Mixer (425-105)
- Flexible drain hose with drainage trap
- Flexible water hoses
- Hand controller with coiled cable
- Safety breaker

Specifications

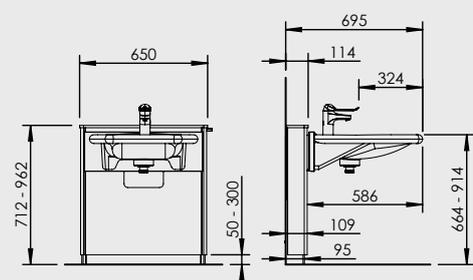
Lift model	Electric, steplessly adjustable washbasin unit, low-profile
Legroom	586 mm
Mixer	150 mm lever. Distance to mixer lever, 324 mm
Overall depth from wall	695 mm
Washbasin	Porcelain washbasin 550x550 mm, incl. overflow and bottom drain with plug
Max load, washbasin	50 kg
Operation	Cable controller with hook, IP65
Width	650 mm
Installation	Wall mounted
Height adjustment	250 mm
Speed	18 mm/sec.
Lifting force	100 kg
Electrical connection	Plug for 230 V, max 1.5A
Enclosure class	IPX4
Safety	The safety switch will stop the basin from lowering if it comes into contact with the user's legs.
Material-specification	Back panel: 4 mm compact laminate with sides of anodised aluminium Top shelf: 12 mm compact laminate Safety switch: Powder-coated sheet steel Installation cover: 4 mm compact laminate
Plumbing connections	Flexible water hoses and drain hose with water trap
	CE



Art. no.	Designation
415-03-05	BASICLINE 415-03-05 - incl. single lever mixer with 150 mm lever



(mm)



Functions and advantages

- Legroom under the washbasin, 586 mm
- Distance to mixer lever, 330 mm
- Wheelchair accessible washbasin with shallow bowl, generous flat surfaces and easy-to-grip sides

Standard equipment

- Washbasin (425-010)
- Mixer (425-105)
- Flexible drain hose with drainage trap
- Flexible water hoses
- Hand controller with coiled cable
- Safety breaker

Specifications

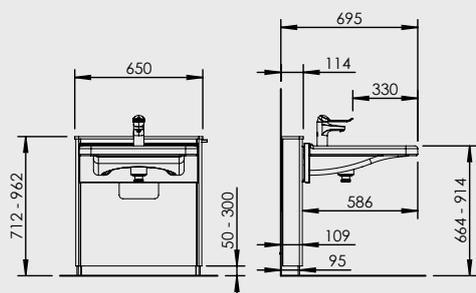
Lift model	Electric, steplessly adjustable washbasin unit, low-profile
Legroom	586 mm
Mixer	150 mm lever. Distance to mixer lever, 330 mm
Overall depth from wall	695 mm
Washbasin	Porcelain washbasin 600x550 mm, incl. overflow and bottom drain with plug
Max load, washbasin	50 kg
Operation	Cable controller with hook, IP65
Width	650 mm
Installation	Wall mounted
Height adjustment	250 mm
Speed	18 mm/sec.
Lifting force	100 kg
Electrical connection	Plug for 230 V, max 1.5A
Enclosure class	IPX4
Safety	The safety switch will stop the basin from lowering if it comes into contact with the user's legs.
Material-specification	Back panel: 4 mm compact laminate with sides of anodised aluminium Top shelf: 12 mm compact laminate Safety switch: Powder-coated sheet steel Installation cover 4 mm compact laminate
Plumbing connections	Flexible water hoses and drain hose with water trap
	CE



Art. no.	Designation
415-10-05	BASICLINE 415-10-05 - incl. single lever mixer with 150 mm lever



(mm)



Functions and advantages

- Legroom under the washbasin, 586 mm
- Distance to mixer lever, 315 mm
- Wheelchair accessible washbasin with shallow bowl and integrated gripping slots

Standard equipment

- Washbasin, excl. overflow (425-015)
- Mixer (425-105)
- Flexible drain hose with drainage trap
- Flexible water hoses
- Hand controller with coiled cable
- Safety breaker

Specifications

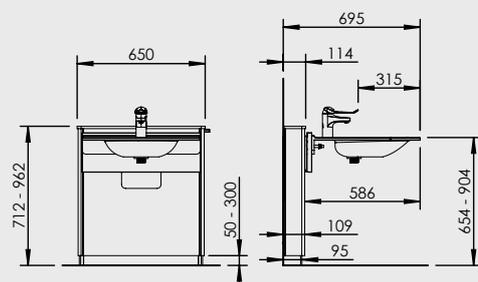
Lift model	Electric, steplessly adjustable washbasin unit, low-profile
Legroom	586 mm
Mixer	150 mm lever. Distance to mixer lever, 315 mm
Overall depth from wall	695 mm
Washbasin	Wash basin of solid surface material with integrated grab handles 600x550 mm, excl. overflow
Max load, washbasin	50 kg
Operation	Cable controller with hook, IP65
Width	650 mm
Installation	Wall mounted
Height adjustment	250 mm
Speed	18 mm/sec.
Lifting force	100 kg
Electrical connection	Plug for 230 V, max 1.5A
Enclosure class	IPX4
Safety	The safety switch will stop the basin from lowering if it comes into contact with the user's legs.
Material-specification	Back panel: 4 mm compact laminate with sides of anodised aluminium Top shelf: 12 mm compact laminate Safety switch: Powder-coated sheet steel Installation cover 4 mm compact laminate
Plumbing connections	Flexible water hoses and drain hose with water trap
	CE



Art. no.	Designation
415-15-05	BASICLINE 415-15-05 - incl. single lever mixer with 150 mm lever



(mm)



Functions and advantages

- Basin lifter for the optional washbasin

Standard equipment

- Hand controller with coiled cable

Recommended options

- Washbasin
- Mixer
- Flexible water hoses
- Flexible drain hose with drainage trap
- Safety breaker

Specifications

Lift model	Electric, steplessly adjustable washbasin unit, low-profile
Operation	Cable controller with hook, IP65
Width	650 mm
Installation	Wall mounted
Height adjustment	250 mm
Speed	18 mm/sec.
Lifting force	100 kg
Electrical connection	Plug for 230 V, max 1.5A
Enclosure class	IPX4
Safety	Safety switch available as an option
Suitable basins	Max. weight: 40 kg Max width 590 mm Max depth: 600 mm Attachment: Washbasin, bolt installation centre-to-centre 280 mm
Material-specification	Back panel: 4 mm compact laminate with sides of anodised aluminium Top shelf: 12 mm compact laminate Installation cover 4 mm compact laminate
Plumbing connections	Flexible drain hose with drainage trap
	CE



Art. no.	Designation
415-0.	BASICLINE 415-0 - Excl. safety switch , water hoses and drain hose

Washbasin

Page 62

Mixer

Page 65

Hoses

Page 68

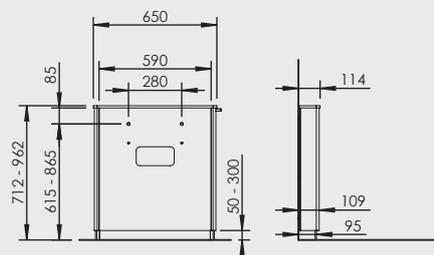
Safety system

Page 69

Control buttons

Page 69

(mm)



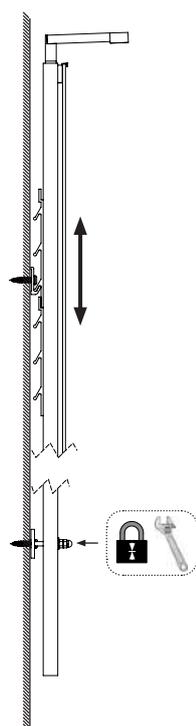
Product highlights

Manually height-adjustable washbasins

Basicline 401



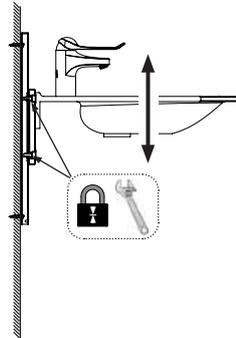
- Width 60 cm
- Manual adjustment in intervals of 50 mm
- Mirror and lighting move in tandem with basin
- Free space below the unit for plumbing connections



Basicline 403



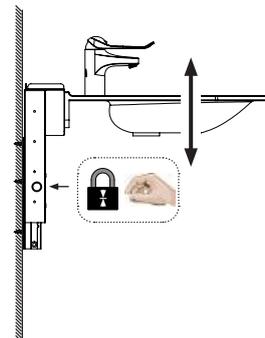
- Width 60 cm
- Manual, stepless adjustment with socket spanner
- Free space below the unit for plumbing connections



Basicline 406



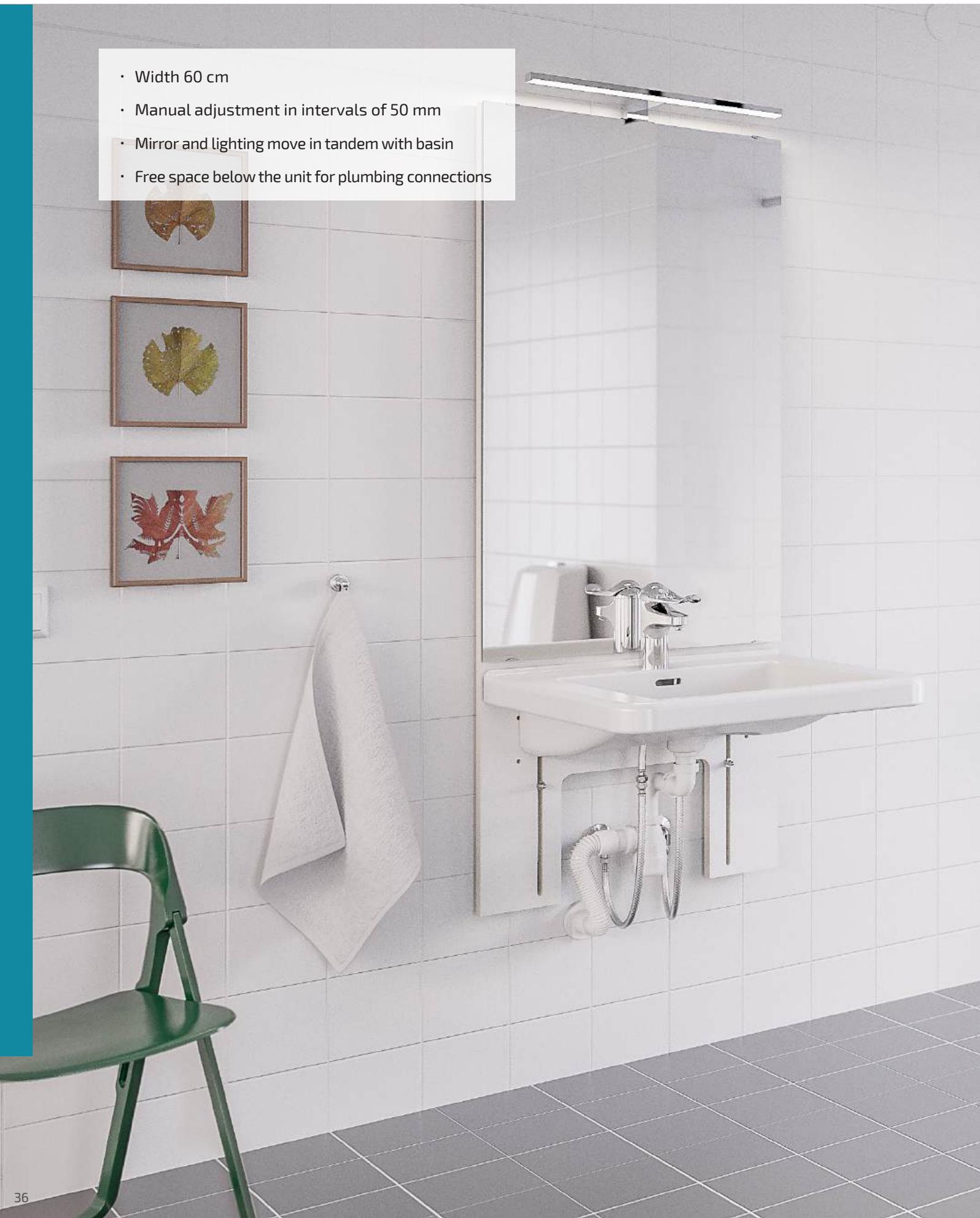
- Width 60 cm
- Manual adjustment with gas spring in intervals of 12 mm
- Practical countertop behind the washbasin
- Free space below the unit for plumbing connections



Basicline 401

Manual height-adjustable washbasin module with mirror and lighting

- Width 60 cm
- Manual adjustment in intervals of 50 mm
- Mirror and lighting move in tandem with basin
- Free space below the unit for plumbing connections





401-11-05



- Overall depth 48.2 cm
- Compact washbasin for children or confined spaces

401-01-05



- Overall depth 52.7 cm
- Wheelchair accessible washbasin with shallow bowl and concave front edge

401-03-05



- Overall depth 58.7 cm
- Wheelchair accessible washbasin with shallow bowl, concave front edge and easy-to-grip sides

401-10-05



- Overall depth 58.7 cm
- Wheelchair accessible washbasin with shallow bowl, generous flat surfaces and easy-to-grip sides

401-15-05



- Overall depth 58.7 cm
- Wheelchair accessible washbasin with shallow bowl and integrated gripping slots



Functions and advantages

- Legroom under the washbasin, 482 mm
- Distance to mixer lever, 225 mm
- Compact washbasin for children or confined spaces

Standard equipment

- Washbasin (425-011)
- Mixer (425-105)
- Mirror and lighting
- Flexible drain hose with drainage trap
- Flexible water hoses
- Track safety lock

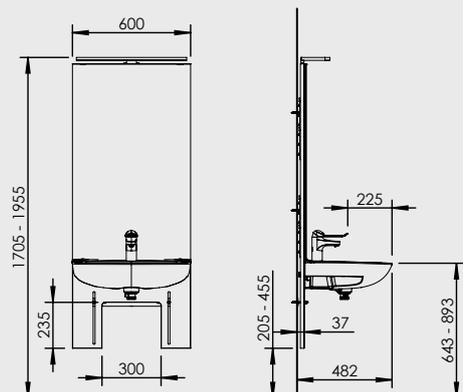
Specifications

Lift model	Manual steplessly height-adjustable washbasin module with mirror and lighting Suspended from wall track, adjustable in intervals of 50 mm
Legroom	482 mm
Mixer	150 mm lever. Distance to mixer lever, 225 mm
Overall depth from wall	482 mm
Washbasin	Porcelain washbasin 600x445 mm, incl. overflow and bottom drain with plug
Max load, washbasin	100 kg
Width	600 mm
Installation	Wall mounted
Height adjustment	250 mm, intervals of 50 mm
Lighting	Aluminium/plastic, colour: chrome LED lighting, 7W, 4000 k (connects to external power) Transformer: 230 V
Safety	The unit is equipped with a safety lock to prevent accidental unhooking from wall track.
Material-specification	Back panel: Plywood coated with high-pressure laminate Mirror: 1000/600/4 mm in silver-backed float glass with ground edges incl. mirror clips Wall track and hook suspension: Aluminium
Plumbing connections	Flexible water hoses and drain hose with water trap
	CE

Art. no.	Designation
401-11-05	BASICLINE 401-11-05 - incl. single lever mixer with 150 mm lever



(mm)





Functions and advantages

- Legroom under the washbasin, 527 mm
- Distance to mixer lever, 265 mm
- Wheelchair accessible washbasin with shallow bowl and concave front edge

Standard equipment

- Washbasin (425-001)
- Mixer (425-105)
- Mirror and lighting
- Flexible drain hose with drainage trap
- Flexible water hoses
- Track safety lock

Specifications

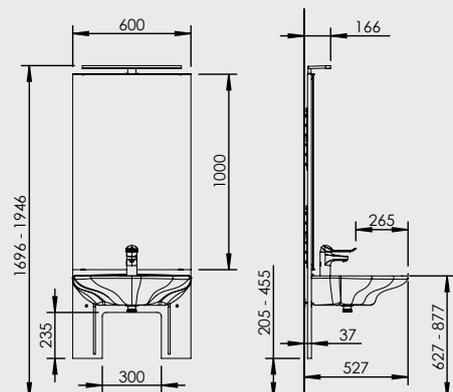
Lift model	Manual steplessly height-adjustable washbasin module with mirror and lighting Suspended from wall track, adjustable in intervals of 50 mm
Legroom	527 mm
Mixer	150 mm lever. Distance to mixer lever, 265 mm
Overall depth from wall	527 mm
Washbasin	Porcelain washbasin 600x490 mm, incl. overflow and bottom drain with plug
Max load, washbasin	100 kg
Width	600 mm
Installation	Wall mounted
Height adjustment	250 mm, intervals of 50 mm
Lighting	Aluminium/plastic, colour: chrome LED lighting, 7W, 4000 k (connects to external power) Transformer: 230 V
Safety	The unit is equipped with a safety lock to prevent accidental unhooking from wall track.
Material-specification	Back panel: Plywood coated with high-pressure laminate Mirror: 1000/600/4 mm in silver-backed float glass with ground edges incl. mirror clips Wall track and hook suspension: Aluminium
Plumbing connections	Flexible water hoses and drain hose with water trap
	CE



Art. no.	Designation
401-01-05	BASICLINE 401-01-05 - incl. single lever mixer with 150 mm lever



(mm)





Functions and advantages

- Legroom under the washbasin, 587 mm
- Distance to mixer lever, 324 mm
- Wheelchair accessible washbasin with shallow bowl, concave front edge and easy-to-grip sides

Standard equipment

- Washbasin (425-003)
- Mixer (425-105)
- Mirror and lighting
- Flexible drain hose with drainage trap
- Flexible water hoses
- Track safety lock

Specifications

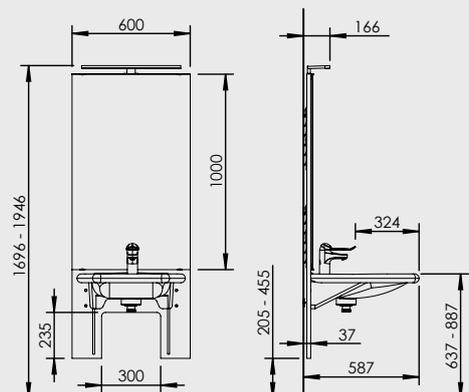
Lift model	Manual steplessly height-adjustable washbasin module with mirror and lighting Suspended from wall track, adjustable in intervals of 50 mm
Legroom	587 mm
Mixer	150 mm lever. Distance to mixer lever, 324 mm
Overall depth from wall	587 mm
Washbasin	Porcelain washbasin 550x550 mm, incl. overflow and bottom drain with plug
Max load, washbasin	100 kg
Width	600 mm
Installation	Wall mounted
Height adjustment	250 mm, intervals of 50 mm
Lighting	Aluminium/plastic, colour: chrome LED lighting, 7W, 4000 k (connects to external power) Transformer: 230 V
Safety	The unit is equipped with a safety lock to prevent accidental unhooking from wall track.
Material-specification	Back panel: Plywood coated with high-pressure laminate Mirror: 1000/600/4 mm in silver-backed float glass with ground edges incl. mirror clips Wall track and hook suspension: Aluminium
Plumbing connections	Flexible water hoses and drain hose with water trap
	CE



Art. no.	Designation
401-03-05	BASICLINE 401-03-05 - incl. single lever mixer with 150 mm lever



(mm)





Functions and advantages

- Legroom under the washbasin, 587 mm
- Distance to mixer lever, 330 mm
- Wheelchair accessible washbasin with shallow bowl, generous flat surfaces and easy-to-grip sides

Standard equipment

- Washbasin (425-010)
- Mixer (425-105)
- Mirror and lighting
- Flexible drain hose with drainage trap
- Flexible water hoses
- Track safety lock

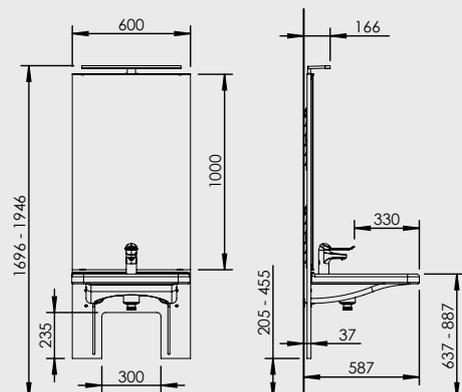
Specifications

Lift model	Manual steplessly height-adjustable washbasin module with mirror and lighting Suspended from wall track, adjustable in intervals of 50 mm
Legroom	587 mm
Mixer	150 mm lever. Distance to mixer lever, 330 mm
Overall depth from wall	587 mm
Washbasin	Porcelain washbasin 600x550 mm, incl. overflow and bottom drain with plug
Max load, washbasin	100 kg
Width	600 mm
Installation	Wall mounted
Height adjustment	250 mm, intervals of 50 mm
Lighting	Aluminium/plastic, colour: chrome LED lighting, 7W, 4000 k (connects to external power) Transformer: 230 V
Safety	The unit is equipped with a safety lock to prevent accidental unhooking from wall track.
Material-specification	Back panel: Plywood coated with high-pressure laminate Mirror: 1000/600/4 mm in silver-backed float glass with ground edges incl. mirror clips Wall track and hook suspension: Aluminium
Plumbing connections	Flexible water hoses and drain hose with water trap
	CE

Art. no.	Designation
401-10-05	BASICLINE 401-10-05 - incl. single lever mixer with 150 mm lever



(mm)





Functions and advantages

- Legroom under the washbasin, 587 mm
- Distance to mixer lever, 315 mm
- Wheelchair accessible washbasin with shallow bowl and integrated gripping slots

Standard equipment

- Washbasin, excl. overflow (425-015)
- Mixer (425-105)
- Mirror and lighting
- Flexible drain hose with drainage trap
- Flexible water hoses
- Track safety lock

Specifications

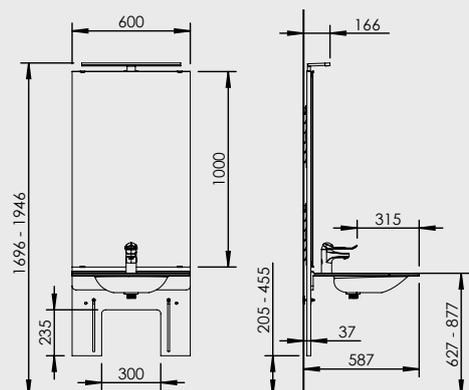
Lift model	Manual steplessly height-adjustable washbasin module with mirror and lighting Suspended from wall track, adjustable in intervals of 50 mm
Legroom	587 mm
Mixer	150 mm lever. Distance to mixer lever, 315 mm
Overall depth from wall	587 mm
Washbasin	Wash basin of solid surface material with integrated grab handles 600x550 mm, excl. overflow
Max load, washbasin	100 kg
Width	600 mm
Installation	Wall mounted
Height adjustment	250 mm, intervals of 50 mm
Lighting	Aluminium/plastic, colour: chrome LED lighting, 7W, 4000 k (connects to external power) Transformer: 230 V
Safety	The unit is equipped with a safety lock to prevent accidental unhooking from wall track.
Material-specification	Back panel: Plywood coated with high-pressure laminate Mirror: 1000/600/4 mm in silver-backed float glass with ground edges incl. mirror clips Wall track and hook suspension: Aluminium
Plumbing connections	Flexible water hoses and drain hose with water trap
	CE



Art. no.	Designation
401-15-05	BASICLINE 401-15-05 - incl. single lever mixer with 150 mm lever



(mm)





Functions and advantages

- Washbasin module optional basin

Standard equipment

- Mirror and lighting
- Track safety lock

Recommended options

- Washbasin
- Mixer
- Flexible water hoses
- Flexible drain hose with drainage trap

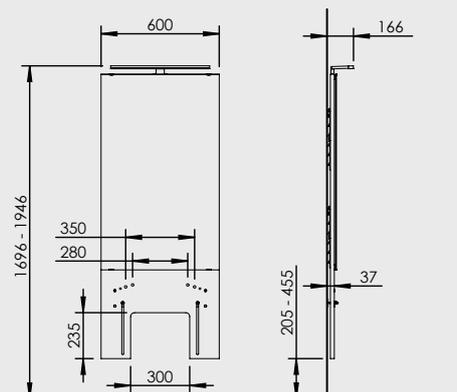
Specifications

Lift model	Manual steplessly height-adjustable washbasin module with mirror and lighting Suspended from wall track, adjustable in intervals of 50 mm
Width	600 mm
Installation	Wall mounted
Height adjustment	250 mm, intervals of 50 mm
Lighting	Aluminium/plastic, colour: chrome LED lighting, 7W, 4000 k (connects to external power) Transformer: 230 V
Safety	The unit is equipped with a safety lock to prevent accidental unhooking from wall track.
Suitable basins	Max. weight: 40 kg Max width 600 mm Max depth: 600 mm Attachment: Washbasin with bolt installation centre-to-centre 280 mm or 350 mm
Material-specification	Back panel: Plywood coated with high-pressure laminate Mirror: 1000/600/4 mm in silver-backed float glass with ground edges incl. mirror clips Wall track and hook suspension: Aluminium
Plumbing connections	Flexible water hoses and drain hose with water trap
	CE

Art. no.	Designation
401-1.	BASICLINE 401-1 - Excl. water hoses and drain hose



(mm)



Washbasin

Page 62

Mixer

Page 65

Hoses

Page 68

Basicline 403

Manually height-adjustable washbasins

- Width 60 cm
- Manual, stepless adjustment with socket spanner
- Free space below the unit for plumbing connections





403-11-05



- Overall depth 48.2 cm
- Compact washbasin for children or confined spaces

403-01-05



- Overall depth 52.6 cm
- Wheelchair accessible washbasin with shallow bowl and concave front edge

403-03-05



- Overall depth 58.6 cm
- Wheelchair accessible washbasin with shallow bowl, concave front edge and easy-to-grip sides

403-10-05



- Overall depth 58.6 cm
- Wheelchair accessible washbasin with shallow bowl, generous flat surfaces and easy-to-grip sides

403-15-05



- Overall depth 58.6 cm
- Wheelchair accessible washbasin with shallow bowl and integrated gripping slots

Functions and advantages

- Legroom under the washbasin, 482 mm
- Distance to mixer lever, 225 mm
- Compact washbasin for children or confined spaces

Standard equipment

- Washbasin (425-011)
- Mixer (425-105)
- Flexible drain hose with drainage trap
- Flexible water hoses

Specifications

Lift model	Manual, steplessly adjustable washbasin unit Adjustment with socket spanner
Legroom	482 mm
Mixer	150 mm lever. Distance to mixer lever, 225 mm
Overall depth from wall	482 mm
Washbasin	Porcelain washbasin 600x445 mm, incl. overflow and bottom drain with plug
Max load, washbasin	100 kg
Width	600 mm
Installation	Wall mounted
Height adjustment	300 mm
Material-specification	Powder coated aluzinc-coated sheet steel, white RAL 9010
Plumbing connections	Flexible water hoses and drain hose with water trap
	CE

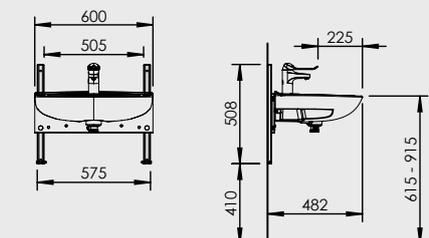


Art. no. **Designation**



403-11-05 BASICLINE 403-11-05
- incl. single lever mixer with 150 mm lever

(mm)



Functions and advantages

- Legroom under the washbasin, 526 mm
- Distance to mixer lever, 265 mm
- Wheelchair accessible washbasin with shallow bowl and concave front edge

Standard equipment

- Washbasin (425-001)
- Mixer (425-105)
- Flexible drain hose with drainage trap
- Flexible water hoses

Specifications

Lift model	Manual, steplessly adjustable washbasin unit Adjustment with socket spanner
Legroom	526 mm
Mixer	150 mm lever. Distance to mixer lever, 265 mm
Overall depth from wall	526 mm
Washbasin	Porcelain washbasin 600x490 mm, incl. overflow and bottom drain with plug
Max load, washbasin	100 kg
Width	600 mm
Installation	Wall mounted
Height adjustment	300 mm
Material-specification	Powder coated aluzinc-coated sheet steel, white RAL 9010
Plumbing connections	Flexible water hoses and drain hose with water trap
	CE



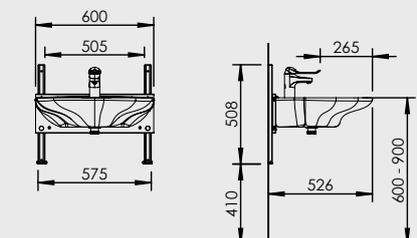
Art. no. **Designation**



403-01-05

BASICLINE 403-01-05
- incl. single lever mixer with 150 mm lever

(mm)



Functions and advantages

- Legroom under the washbasin, 586 mm
- Distance to mixer lever, 324 mm
- Wheelchair accessible washbasin with shallow bowl, concave front edge and easy-to-grip sides

Standard equipment

- Washbasin (425-003)
- Mixer (425-105)
- Flexible drain hose with drainage trap
- Flexible water hoses

Specifications

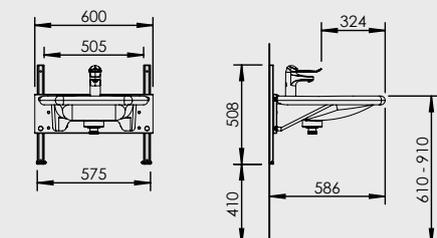
Lift model	Manual, steplessly adjustable washbasin unit Adjustment with socket spanner
Legroom	586 mm
Mixer	150 mm lever. Distance to mixer lever, 324 mm
Overall depth from wall	586 mm
Washbasin	Porcelain washbasin 550x550 mm, incl. overflow and bottom drain with plug
Max load, washbasin	100 kg
Width	600 mm
Installation	Wall mounted
Height adjustment	300 mm
Material-specification	Powder coated aluzinc-coated sheet steel, white RAL 9010
Plumbing connections	Flexible water hoses and drain hose with water trap
	CE



Art. no.	Designation
403-03-05	BASICLINE 403-03-05 - incl. single lever mixer with 150 mm lever



(mm)



Functions and advantages

- Legroom under the washbasin, 586 mm
- Distance to mixer lever, 330 mm
- Wheelchair accessible washbasin with shallow bowl, generous flat surfaces and easy-to-grip sides

Standard equipment

- Washbasin (425-010)
- Mixer (425-105)
- Flexible drain hose with drainage trap
- Flexible water hoses

Specifications

Lift model	Manual, steplessly adjustable washbasin unit Adjustment with socket spanner
Legroom	586 mm
Mixer	150 mm lever. Distance to mixer lever, 330 mm
Overall depth from wall	586 mm
Washbasin	Porcelain washbasin 600x550 mm, incl. overflow and bottom drain with plug
Max load, washbasin	100 kg
Width	600 mm
Installation	Wall mounted
Height adjustment	300 mm
Material-specification	Powder coated aluzinc-coated sheet steel, white RAL 9010
Plumbing connections	Flexible water hoses and drain hose with water trap
	CE

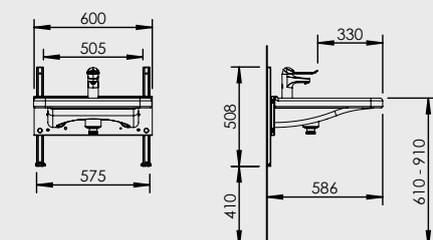


Art. no. **Designation**



403-10-05 BASICLINE 403-10-05
- incl. single lever mixer with 150 mm lever

(mm)



Functions and advantages

- Legroom under the washbasin, 586 mm
- Distance to mixer lever, 315 mm
- Wheelchair accessible washbasin with shallow bowl and integrated gripping slots

Standard equipment

- Washbasin, excl. overflow (425-015)
- Mixer (425-105)
- Flexible drain hose with drainage trap
- Flexible water hoses

Specifications

Lift model	Manual, steplessly adjustable washbasin unit Adjustment with socket spanner
Legroom	586 mm
Mixer	150 mm lever. Distance to mixer lever, 315 mm
Overall depth from wall	586 mm
Washbasin	Wash basin of solid surface material with integrated grab handles 600x550 mm, excl. overflow
Max load, washbasin	100 kg
Width	600 mm
Installation	Wall mounted
Height adjustment	300 mm
Material-specification	Powder coated aluzinc-coated sheet steel, white RAL 9010
Plumbing connections	Flexible water hoses and drain hose with water trap
	CE

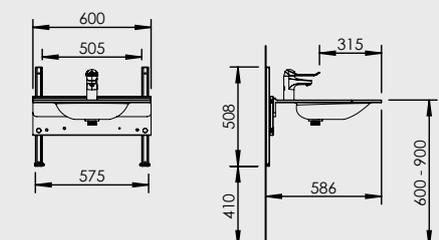


Art. no. **Designation**



403-15-05 BASICLINE 403-15-05
- incl. single lever mixer with 150 mm lever

(mm)



403-1



Art. no.	Designation
403-1.	BASICLINE 403-1 - Depth 36 mm

403-2



Art. no.	Designation
403-2.	BASICLINE 403-2 - Depth 120 mm

403-3



Art. no.	Designation
403-3.	BASICLINE 403-3 - Depth 220 mm

Functions and advantages

- Washbasin bracket optional basin
- 3 different depths: 36 mm / 120 mm / 220 mm

Standard equipment

- Washbasin bracket adjustable with socket spanner

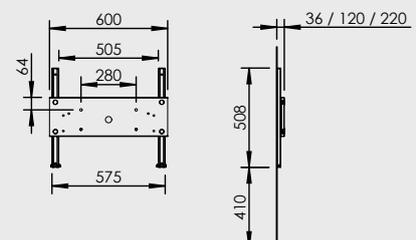
Recommended options

- Washbasin
- Mixer
- Flexible drain hose with drainage trap
- Flexible water hoses

Specifications

Lift model	Manual, steplessly adjustable washbasin unit Adjustment with socket spanner
Width	600 mm
Installation	Wall mounted
Height adjustment	300 mm
Suitable basins	Max. weight: 40 kg Max width 600 mm Max depth: 600 mm Attachment: Washbasin, bolt installation centre-to-centre 280 mm
Material-specification	Powder coated aluzinc-coated sheet steel, white RAL 9010
Plumbing connections	Flexible water hoses and drain hose with water trap
	CE

(mm)



Washbasin



Page 62

Mixer



Page 65

Hoses

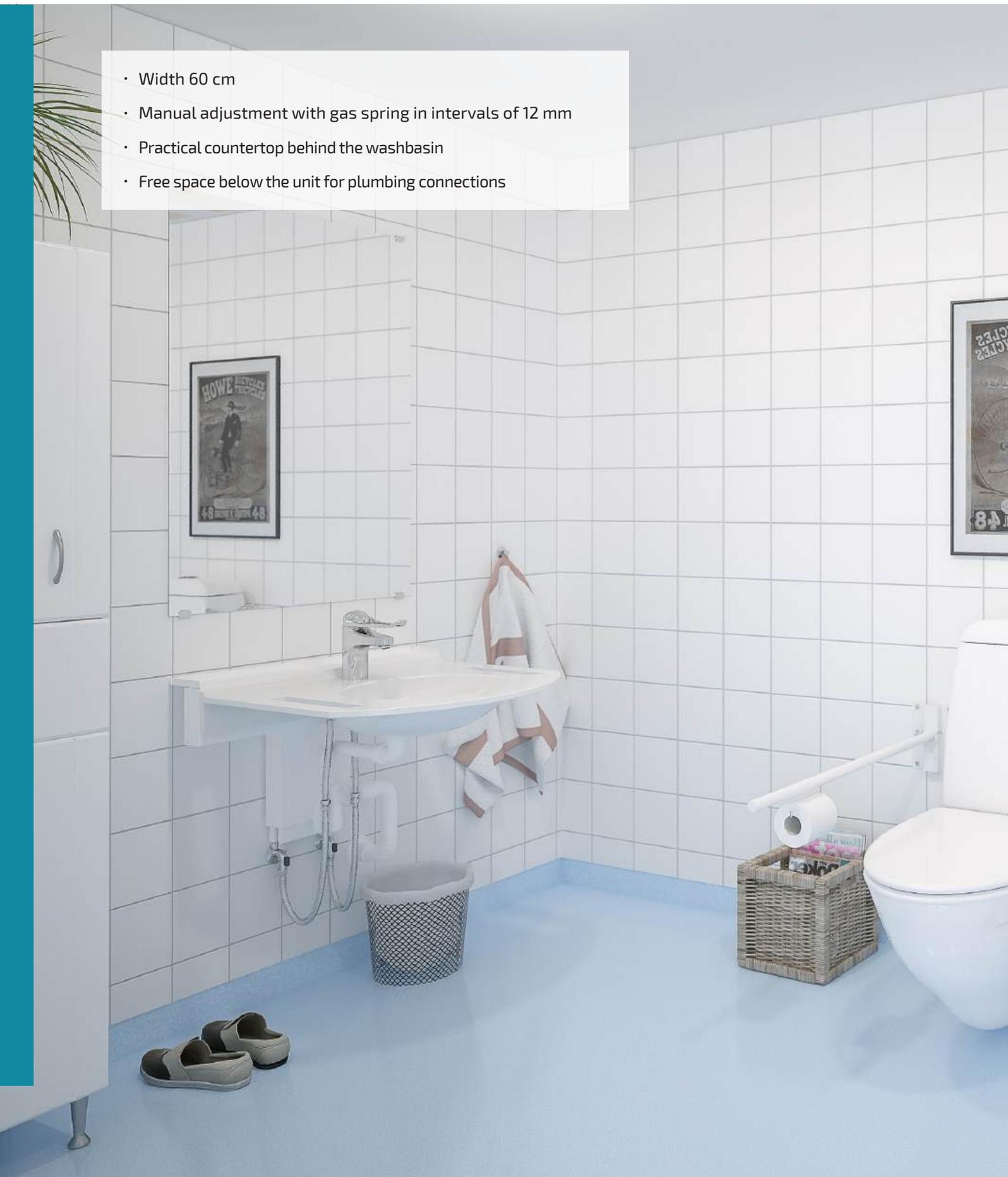


Page 68

Basicline 406

Gas strut operated height-adjustable washbasins

- Width 60 cm
- Manual adjustment with gas spring in intervals of 12 mm
- Practical countertop behind the washbasin
- Free space below the unit for plumbing connections





406-11-05



- Overall depth 55.5 cm
- Compact washbasin for children or confined spaces

406-01-05



- Overall depth 60.0 cm
- Wheelchair accessible washbasin with shallow bowl and concave front edge

406-03-05



- Overall depth 66.0 cm
- Wheelchair accessible washbasin with shallow bowl, concave front edge and easy-to-grip sides

406-10-05



- Overall depth 66.0 cm
- Wheelchair accessible washbasin with shallow bowl, generous flat surfaces and easy-to-grip sides

406-15-05



- Overall depth 66.0 cm
- Wheelchair accessible washbasin with shallow bowl and integrated gripping slots

Functions and advantages

- Legroom under the washbasin, 555 mm
- Distance to mixer lever, 225 mm
- Compact washbasin for children or confined spaces

Standard equipment

- Washbasin (425-011)
- Mixer (425-105)
- Flexible drain hose with drainage trap
- Flexible water hoses

Specifications

Lift model	Manual, adjustable washbasin unit Adjustment with gas spring. Adjustable in intervals of 12 mm
Legroom	555 mm
Mixer	150 mm lever. Distance to mixer lever, 225 mm
Overall depth from wall	555 mm
Washbasin	Porcelain washbasin 600x445 mm, incl. overflow and bottom drain with plug
Max load, washbasin	50 kg
Width	602 mm
Installation	Wall mounted
Height adjustment	190 mm in intervals of 12 mm
Material-specification	Epoxy coated aluminium, white (RAL 9016)
Plumbing connections	Flexible water hoses and drain hose with water trap
	CE

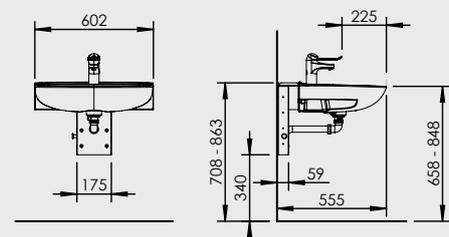


Art. no. **Designation**



406-11-05 BASICLINE 406-11-05
- incl. single lever mixer with 150 mm lever

(mm)



Functions and advantages

- Legroom under the washbasin, 600 mm
- Distance to mixer lever, 265 mm
- Wheelchair accessible washbasin with shallow bowl and concave front edge

Standard equipment

- Washbasin (425-001)
- Mixer (425-105)
- Flexible drain hose with drainage trap
- Flexible water hoses

Specifications

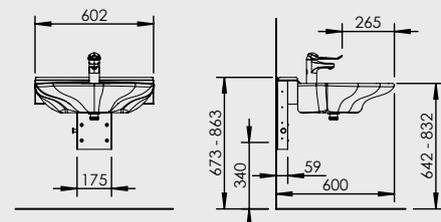
Lift model	Manual, adjustable washbasin unit Adjustment with gas spring. Adjustable in intervals of 12 mm
Legroom	600 mm
Mixer	150 mm lever. Distance to mixer lever, 265 mm
Overall depth from wall	600 mm
Washbasin	Porcelain washbasin 600x490 mm, incl. overflow and bottom drain with plug
Max load, washbasin	50 kg
Width	602 mm
Installation	Wall mounted
Height adjustment	190 mm in intervals of 12 mm
Material-specification	Epoxy coated aluminium, white (RAL 9016)
Plumbing connections	Flexible water hoses and drain hose with water trap
	CE



Art. no.	Designation
406-01-05	BASICLINE 406-01-05 - incl. single lever mixer with 150 mm lever



(mm)



Functions and advantages

- Legroom under the washbasin, 660 mm
- Distance to mixer lever, 324 mm
- Wheelchair accessible washbasin with shallow bowl, concave front edge and easy-to-grip sides

Standard equipment

- Washbasin (425-003)
- Mixer (425-105)
- Flexible drain hose with drainage trap
- Flexible water hoses

Specifications

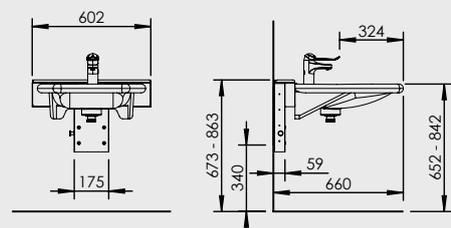
Lift model	Manual, adjustable washbasin unit Adjustment with gas spring. Adjustable in intervals of 12 mm
Legroom	660 mm
Mixer	150 mm lever. Distance to mixer lever, 324 mm
Overall depth from wall	660 mm
Washbasin	Porcelain washbasin 550x550 mm, incl. overflow and bottom drain with plug
Max load, washbasin	50 kg
Width	602 mm
Installation	Wall mounted
Height adjustment	190 mm in intervals of 12 mm
Material-specification	Epoxy coated aluminium, white (RAL 9016)
Plumbing connections	Flexible water hoses and drain hose with water trap
	CE



Art. no.	Designation
406-03-05	BASICLINE 406-03-05 - incl. single lever mixer with 150 mm lever



(mm)



Functions and advantages

- Legroom under the washbasin, 660 mm
- Distance to mixer lever, 330 mm
- Wheelchair accessible washbasin with shallow bowl, generous flat surfaces and easy-to-grip sides

Standard equipment

- Washbasin (425-010)
- Mixer (425-105)
- Flexible drain hose with drainage trap
- Flexible water hoses

Specifications

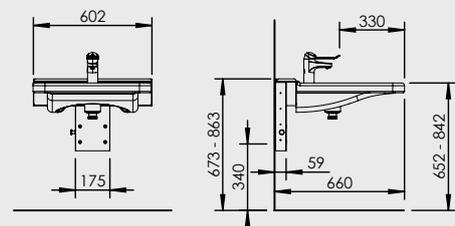
Lift model	Manual, adjustable washbasin unit Adjustment with gas spring. Adjustable in intervals of 12 mm
Legroom	660 mm
Mixer	150 mm lever. Distance to mixer lever, 330 mm
Overall depth from wall	660 mm
Washbasin	Porcelain washbasin 600x550 mm, incl. overflow and bottom drain with plug
Max load, washbasin	50 kg
Width	602 mm
Installation	Wall mounted
Height adjustment	190 mm in intervals of 12 mm
Material-specification	Epoxy coated aluminium, white (RAL 9016)
Plumbing connections	Flexible water hoses and drain hose with water trap
	CE



Art. no.	Designation
406-10-05	BASICLINE 406-10-05 - incl. single lever mixer with 150 mm lever



(mm)



Functions and advantages

- Legroom under the washbasin, 660 mm
- Distance to mixer lever, 315 mm
- Wheelchair accessible washbasin with shallow bowl and integrated gripping slots

Standard equipment

- Washbasin, excl. overflow (425-015)
- Mixer (425-105)
- Flexible drain hose with drainage trap
- Flexible water hoses

Specifications

Lift model	Manual, adjustable washbasin unit Adjustment with gas spring. Adjustable in intervals of 12 mm
Legroom	660 mm
Mixer	150 mm lever. Distance to mixer lever, 315 mm
Overall depth from wall	660 mm
Washbasin	Wash basin of solid surface material with integrated grab handles 600x550 mm, excl. overflow
Max load, washbasin	50 kg
Width	602 mm
Installation	Wall mounted
Height adjustment	190 mm in intervals of 12 mm
Material-specification	Epoxy coated aluminium, white (RAL 9016)
Plumbing connections	Flexible water hoses and drain hose with water trap
	CE

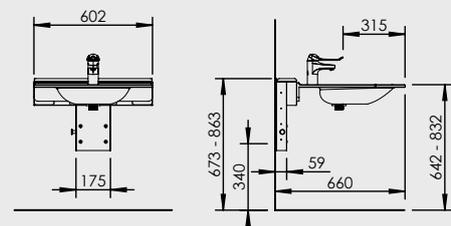


Art. no.	Designation
----------	-------------



406-15-05	BASICLINE 406-15-05 - incl. single lever mixer with 150 mm lever
-----------	---

(mm)





Functions and advantages

- Washbasin bracket optional basin with bolt installation centre-to-centre 280 mm or 350 mm

Standard equipment

- Washbasin bracket adjustable with gas spring
- Installation bolts for the washbasin

Recommended options

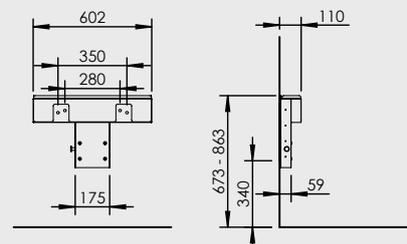
- Washbasin, bolt installation centre-to-centre 280 mm
- Mixer
- Flexible drain hose with drainage trap
- Flexible water hoses

Specifications

Lift model	Manual, adjustable washbasin unit Adjustment with gas spring. Adjustable in intervals of 12 mm
Width	602 mm
Installation	Wall mounted
Height adjustment	190 mm in intervals of 12 mm
Suitable basins	Max. weight: 12-18 kg Max width 600 mm Max depth: 600 mm Attachment: Washbasin with bolt installation centre-to-centre 280 mm or 350 mm
Material-specification	Epoxy coated aluminium, white (RAL 9016)
Plumbing connections	Flexible water hoses and drain hose with water trap
	CE

Art. no.	Designation
 406-1.	BASICLINE 406-1 - Excl. water hoses and drain hose

(mm)



Washbasin



Page 62

Mixer



Page 65

Hoses



Page 68

Washbasin, mixer and accessories







Art. no.	Designation
425-011.	Granberg washbasin (425-011)

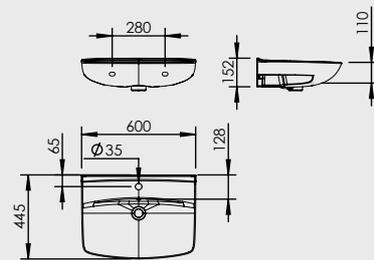
Functions and advantages

- Legroom under the washbasin, 445 mm
- Compact washbasin for children or confined spaces

Specifications

Size	600x445 mm
Legroom	445 mm
Design	Porcelain washbasin incl. overflow and bottom drain with plug
Max load, washbasin	100 kg
Installation	Bolt installation, CC 280 mm

(mm)



Art. no.	Designation
425-001	Granberg washbasin 425-001, with overflow and strainer drain

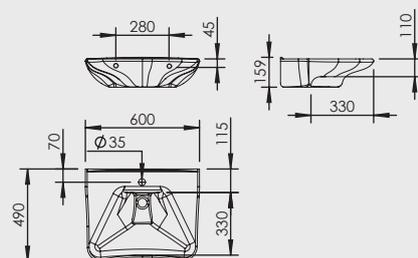
Functions and advantages

- Legroom under the washbasin, 490 mm
- Wheelchair accessible washbasin with shallow bowl and concave front edge

Specifications

Size	600x490 mm
Legroom	490 mm
Design	Porcelain washbasin incl. overflow and bottom drain with plug
Max load, washbasin	100 kg
Installation	Bolt installation, CC 280 mm

(mm)





Functions and advantages

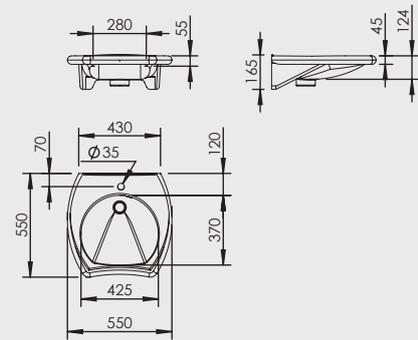
- Legroom under the washbasin, 550 mm
- Wheelchair accessible washbasin with shallow bowl, concave front edge and easy-to-grip sides



Specifications

Size	550x550 mm
Legroom	550 mm
Design	Porcelain washbasin incl. overflow and bottom drain with plug
Max load, washbasin	100 kg
Installation	Bolt installation, CC 280 mm

(mm)



Art. no.	Designation
425-003.	Granberg washbasin (425-003)



Functions and advantages

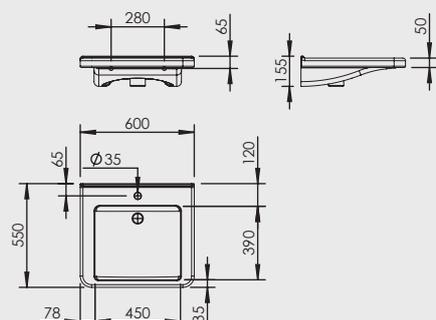
- Legroom under the washbasin, 550 mm
- Wheelchair accessible washbasin with shallow bowl, generous flat surfaces and easy-to-grip sides



Specifications

Size	600x550 mm
Legroom	550 mm
Design	Porcelain washbasin incl. overflow and bottom drain with plug
Max load, washbasin	100 kg
Installation	Bolt installation, CC 280 mm

(mm)



Art. no.	Designation
425-010.	Granberg washbasin (425-010)



Functions and advantages

- Legroom under the washbasin, 550 mm
- Wheelchair accessible washbasin with shallow bowl and integrated gripping slots

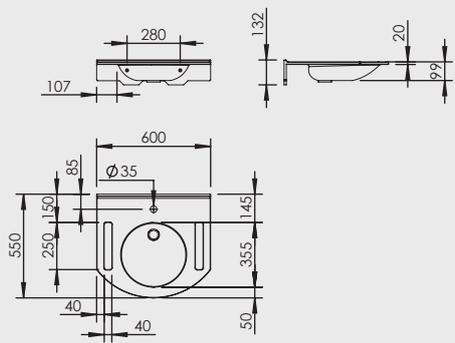
Specifications

Size	600x550 mm
Legroom	550 mm
Design	Wash basin of solid surface material with integrated grab handles, excl. overflow
Max load, washbasin	150 kg
Installation	Bolt installation, CC 280 mm



Art. no.	Designation
425-015.	Granberg washbasin (425-015)

(mm)





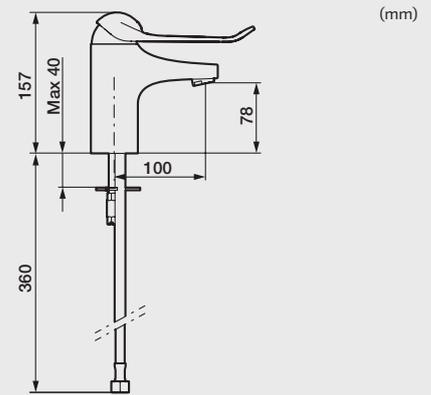
Functions and advantages

- Easily accessible lever, length 150 mm

Specifications

Lever	150 mm
Spout projection	100 mm
Connection pipe	Soft PEX pipe, length 360 mm
Hole size	Ø 33.5–37 mm
Other	Cold start feature Soft action ceramic shut-off Built-in, easily adjustable flow control and temperature limiter

Art. no.	Designation
425-105.	Basin mixer Granberg 425-105 - 150 mm lever



Specifications

Length	500 mm
Connection	R10 3/8"

Art. no.	Designation
425-311.	Water hoses, 2 pack



Specifications

Length	315 to 815 mm (spring-loaded)
Connection	Collar 40 mm. Rubber nipple 50-40 mm included

Art. no.	Designation
425-331.	Flexible drain hose with drainage trap

Safety system

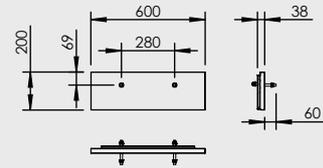


Art. no.	Designation
425-401.	Safety switch to Designline 417 and Basicline 433, bolt attachment centre-to-centre 280 mm
425-403	Safety switch for Basicline 415 washbasin, bolt attachment, centre-to-centre 280 mm

Specifications

Function	Thanks to the safety switch, the basin will stop lowering if it comes into contact with any obstacle or the user's legs. Suitable for washbasins with 280 mm centre-to-centre bolt installation.
Installation	Installed between the back panel and wash basin

(mm)



Control buttons



Cable Hand Control

Dimensions: 170 x 63 x 27 mm

425-410



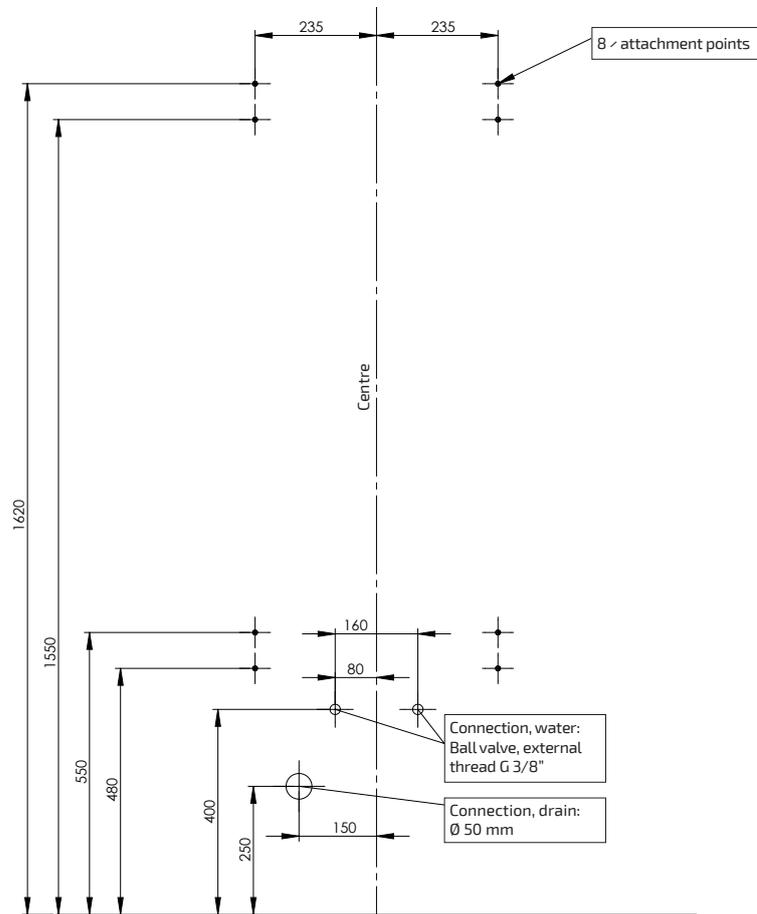
Radio Control - Hand Control

Dimensions: 110 x 38 x 10 mm

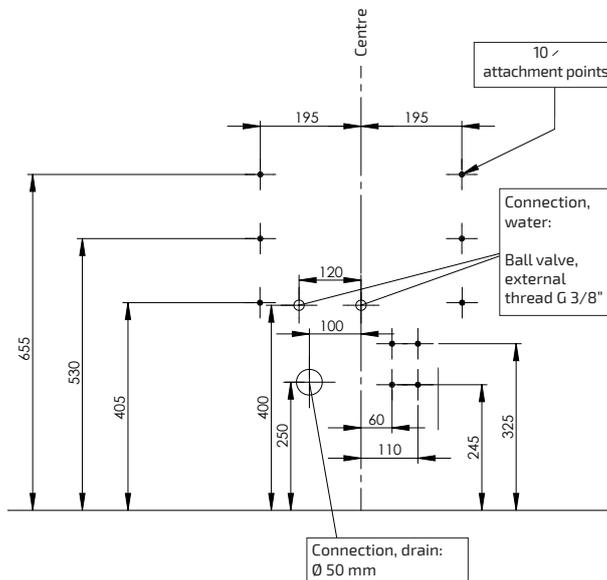
61385

Fittings and plumbing connections for electric height-adjustable models

Model:
 Baseline 433
 Designline 417

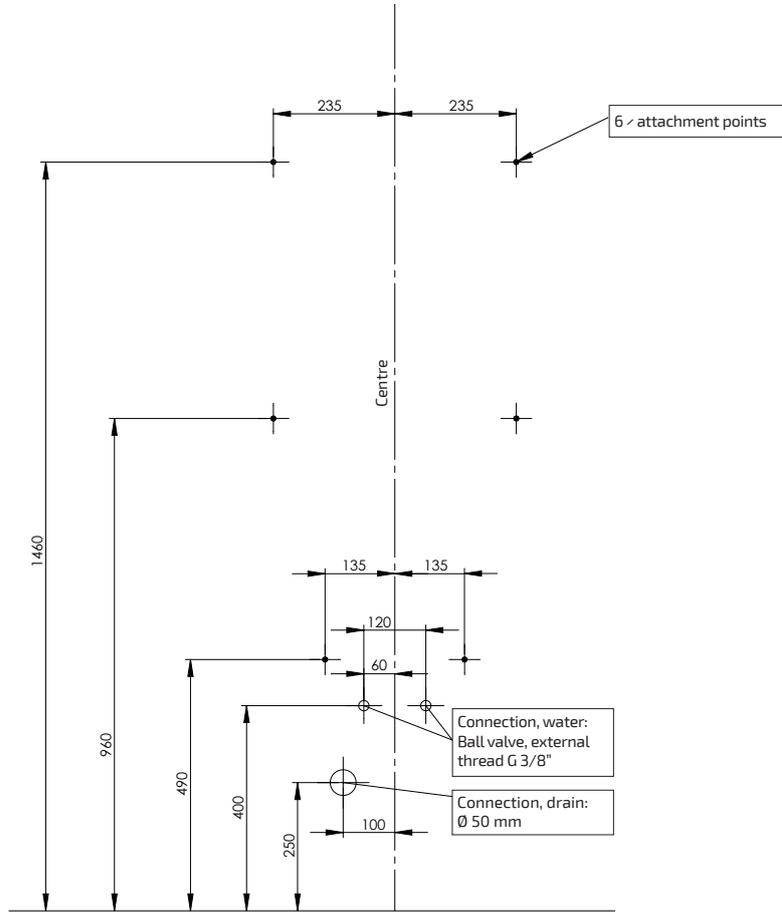


Model:
 Baseline 415

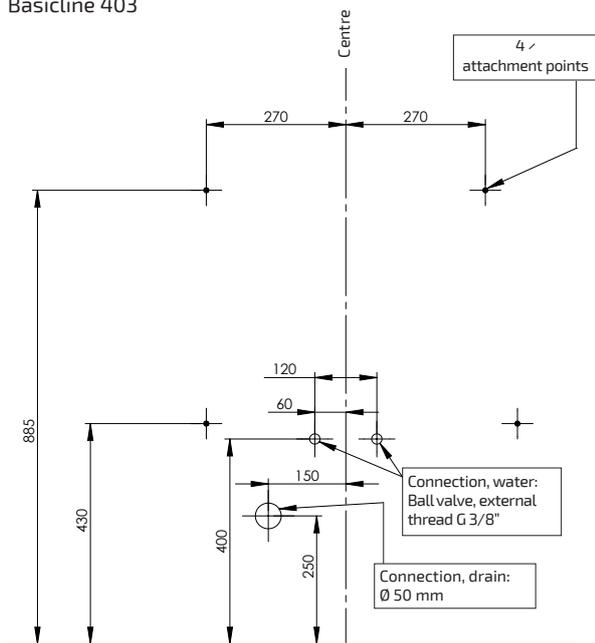


Fittings and plumbing connections for manual height-adjustable models

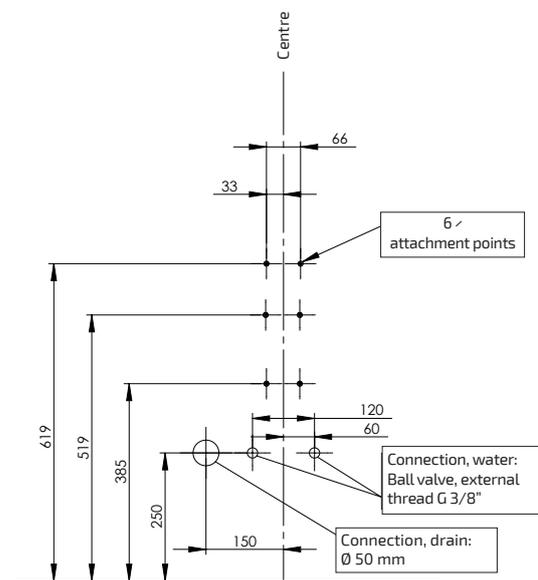
Model:
Baseline 401



Model:
Baseline 403

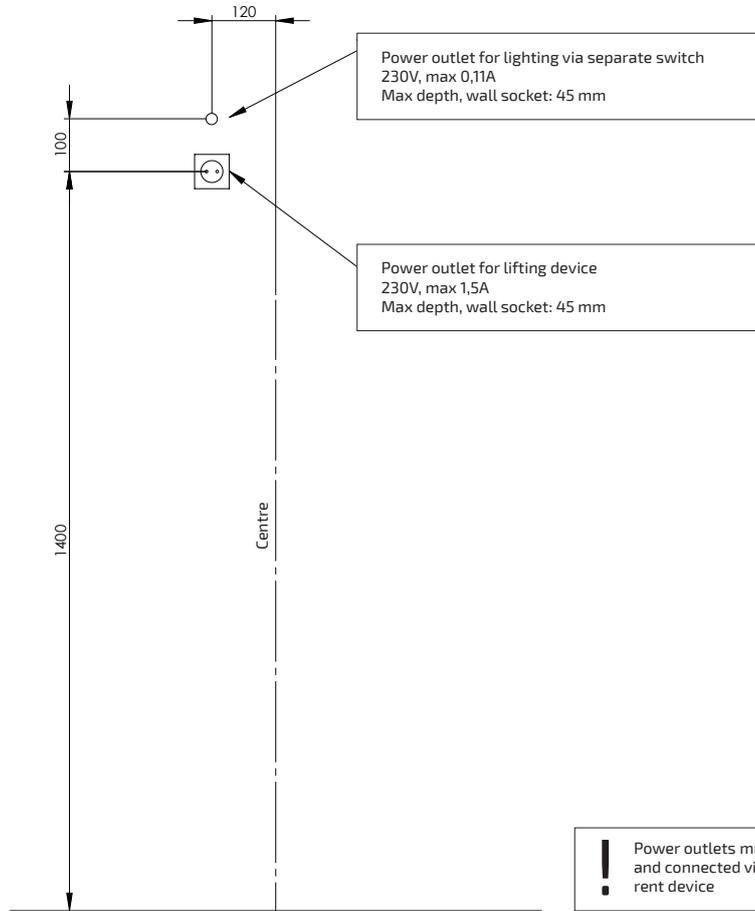


Model:
Baseline 406

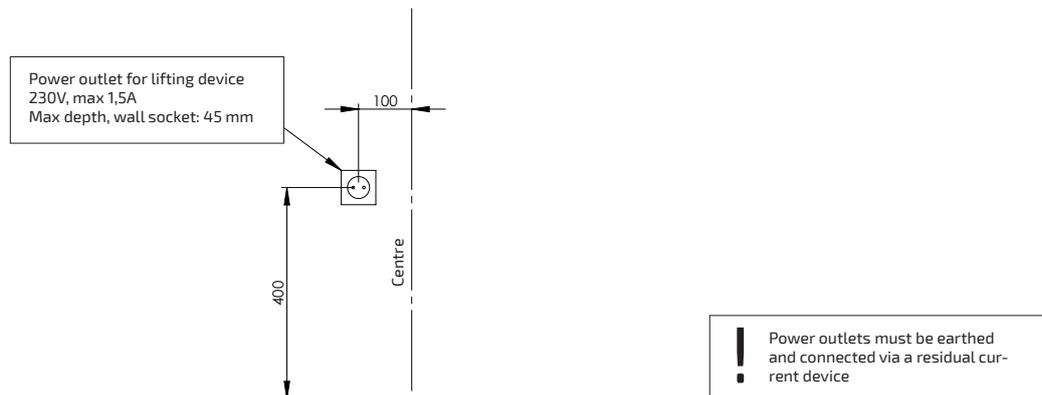


Electrical installation

Model:
Basicline 433
Designline 417

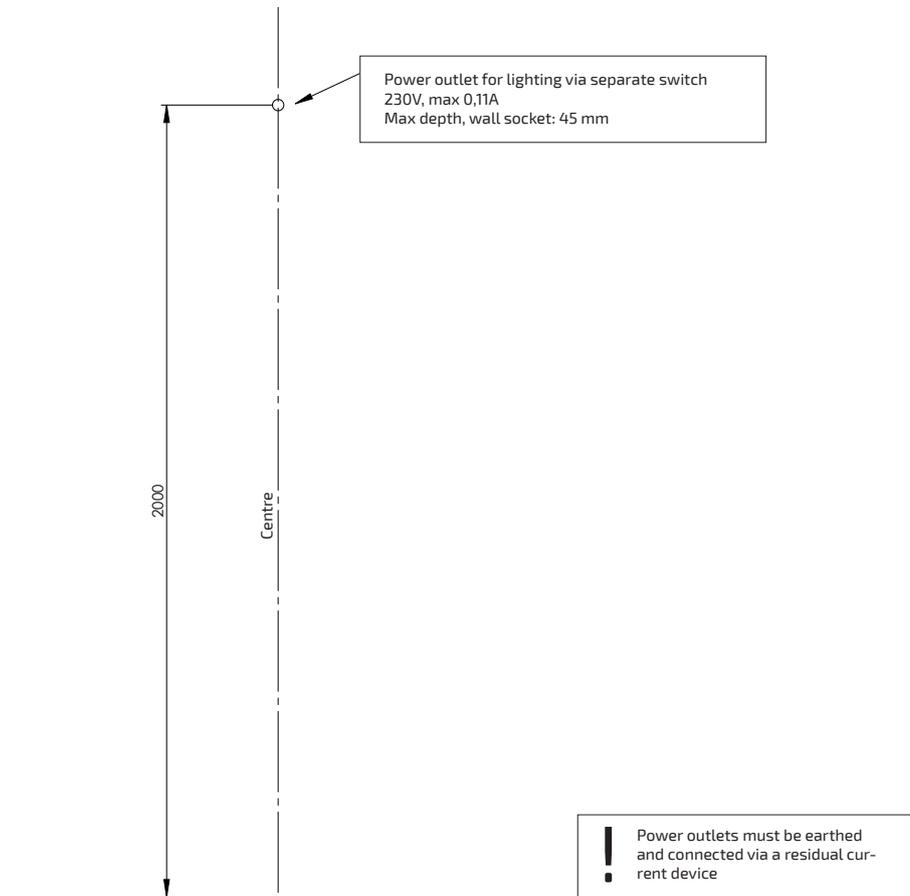


Model:
Basicline 415



Electrical installation

Model:
Baseline 401





SINCE 1870

GRANBERG



Granbergs reserves the right to make changes in design and workmanship.
Colours may be different from those in the catalogue. Granbergs reserves the right to make changes in the range.
Design and production of catalogue: Granberg Interior AB



GRANBERG

GRANBERG INTERIOR AB
Importgatan 30
602 28 Norrköping
Sweden
Tel: +46 (0)11-19 77 50
Email: info@granberg.se
Internet: www.granberg.se

GRANBERG UNITED KINGDOM
Bellamy House Winton Road
Petersfield, Hampshire GU32 3HA
United Kingdom
Tel: +44 (0)800 0470 027
Email: info@granberg-uk.co.uk
Internet: www.granberg-uk.co.uk

SINCE 1870

