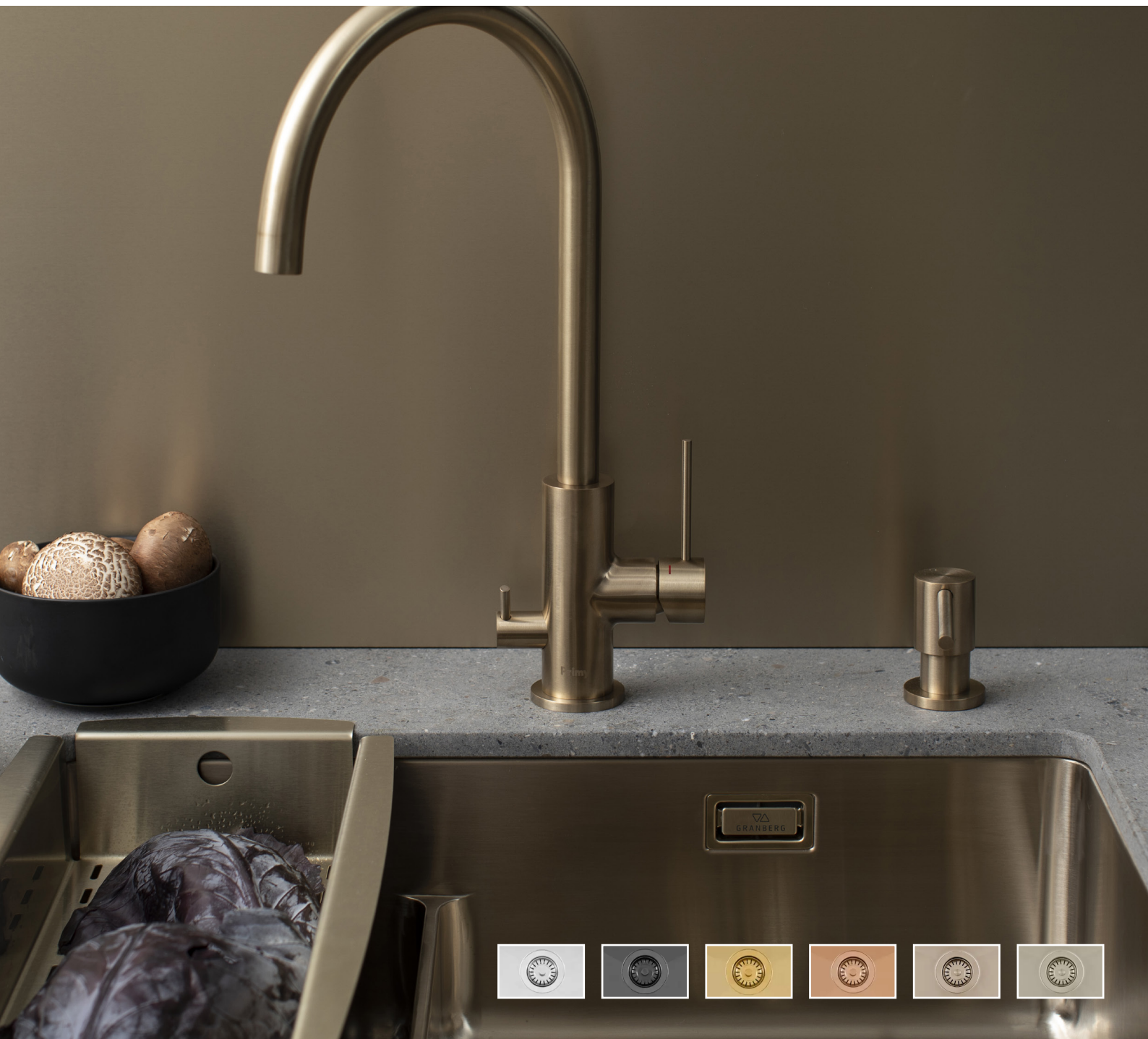


ERGOSTEEL Trendline

Ergonomic sinks in exclusive design





CONTENT

Ergonomic sinks in exclusive design	4
Accessible Sinks	6
Trendline - Stainless steel Sinks	10
Trendline - PVD Sinks	12
Accessories	18

Ergonomic sinks in exclusive design

The Ergosteel Trendline series have been specifically designed for use in an accessible kitchen environment.

The shallow depth of the sink bowls, rear positioned waste outlet and insulated underside are some of the features that make the Ergosteel Trendline range an ideal option when designing an accessible kitchen.





SINCE 1870

GRANBERG



Accessible Sinks



Accessibility meets style

The shallow sink bowl with a 120mm depth allows users in a seated or standing position to use the sinks at a comfortable height.

As each individual users' needs are different, so too are our handmade range of custom sinks. All our sinks are designed to simplify everyday tasks.

The sinks are made from 1.2mm stainless steel with a low depth strainer waste and off-set waste.

All Ergosteel sinks feature a unique off-set waste designed to work with a rise and fall worktop system.

All our sinks are insulated to protect the users' knees and legs, in compliance with UK Building Regulations.



Shallow depth of the sink bowls

Shallower depth of the sink bowls (120mm) optimises the comfort of the user when in a seated position.



Heat Insulation

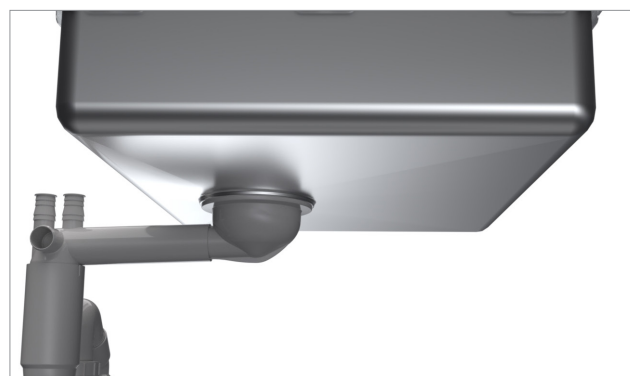
The underside of an exposed sink with shallow depth must be insulated to avoid burns.

The heat insulation pad is made of flame-resistant, 4mm cellular rubber with a temperature-resistant acrylic glue.



Rear positioned strainer waste and water trap

To give added legroom under the sink, the specially designed waste trap is positioned towards the rear of the sink.



Flexible drain connection

All sinks are supplied with a flexible drain connection containing a strainer waste, basket and telescopic waste outlet arm(s) with a flexible drainage hose.

The flexible drainage hose can be extended from 200 to 520mm to work with height adjustable work tops. The flexible hose also allows for easy installation on fixed, reduced height worktops.

External pipe diameter drain pipe: 50 mm
Material: PP (Polypropylene)





SINCE 1870

GRANBERG





Trendline - Stainless Steel Kitchen Sinks



Features and benefits

- Quality hand-made 1.2 mm stainless steel sinks with a brushed surface and profiled base to waste improving water flow.
- Unique waste, the flexible hose is adapted for height adjustable worktop systems
- Including heat insulation for protecting the users' knees and legs when in a seated position
- The sink bowl outlet with a strainer waste is located at the rear of the sink bowl; maximizing the available space for a seated user
- Overflow protection on all models
- All models are available in a coloured PVD coating

Mounting methods

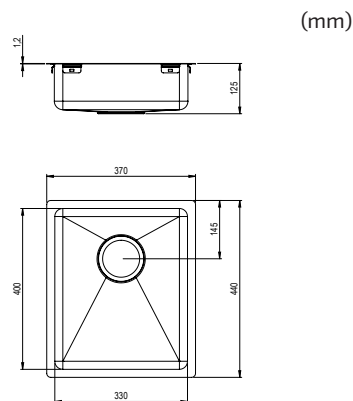
-  Inset
-  Under mounted
-  Under gluing
-  Planar gluing

- All sinks are supplied with a basket waste, overflow drain and a water trap with a flexible hose



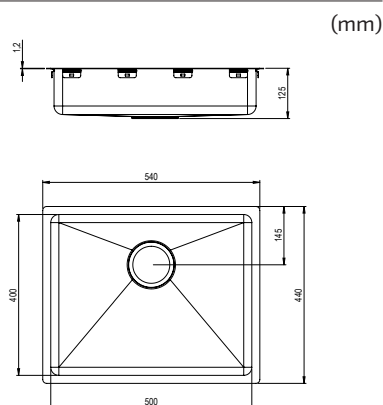
Trendline EST-330
330 x 400

Art. no.	618EST-330
For cabinet size	400 mm
Depth of sink bowl	120 mm
Inside corner radius	20 mm
Material thickness	1,2 mm
Inner dimensions	330 x 400 mm
Outer dimensions	370 x 440 mm



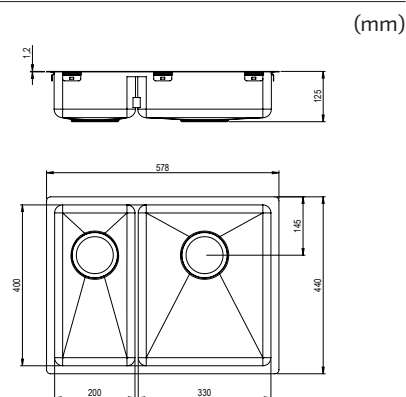
Trendline EST-500
500 x 400

Art. no.	618EST-500
For cabinet size	600 mm
Depth of sink bowl	120 mm
Inside corner radius	20 mm
Material thickness	1,2 mm
Inner dimensions	500 x 400 mm
Outer dimensions	540 x 440 mm



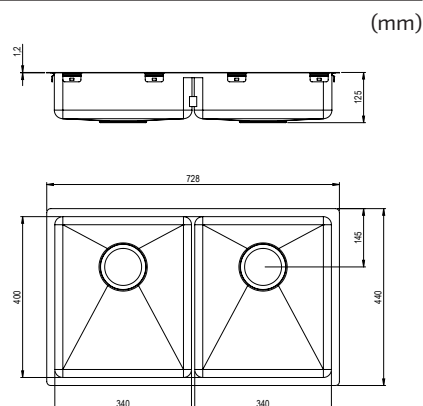
Trendline EST-53KH
200 / 330 x 400

Art. no.	618EST-53KH
For cabinet size	600 mm
Depth of sink bowl	120 mm
Inside corner radius	20 mm
Material thickness	1,2 mm
Inner dimensions	200 / 330 x 400 mm
Outer dimensions	578 x 440 mm



Trendline EST-80K
340 / 340 x 400

Art. no.	618EST-80K
For cabinet size	800 mm
Depth of sink bowl	120 mm
Inside corner radius	20 mm
Material thickness	1,2 mm
Inner dimensions	340 / 340 x 400 mm
Outer dimensions	728 x 440 mm







Trendline - PVD Sinks



Our colored sinks are treated with a PVD technology, (Physical Vapor Deposition), an advanced form of surface treatment for stainless steel. The treatment provides a durable and attractive surface.

PVD treatment is an advanced vacuum process that retains the basic material's surface structure and gives the feeling that the material is dyed through and not varnished.

Mounting methods

-  Inset
-  Under mounted
-  Under gluing
-  Planar gluing

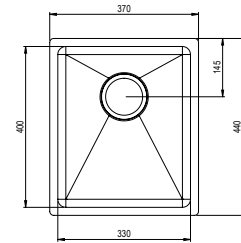
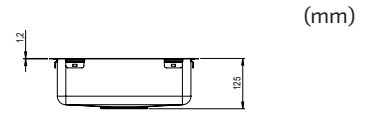
- All sinks are supplied with a basket waste, overflow drain and a water trap with a flexible hose



40

Trendline EST-330 - Black
330 x 400

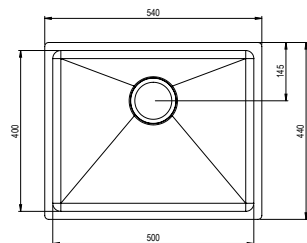
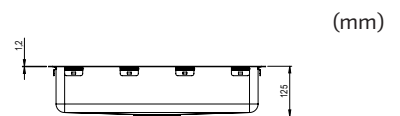
Art. no. 618EST-330-02
 For cabinet size 400 mm
 Depth of sink bowl 120 mm
 Inside corner radius 20 mm
 Material thickness 1,2 mm
 Inner dimensions 330 x 400 mm
 Outer dimensions 370 x 440 mm



60

Trendline EST-500 - Black
500 x 400

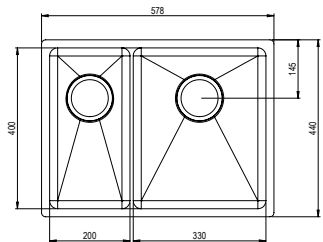
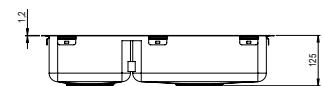
Art. no. 618EST-500-02
 For cabinet size 600 mm
 Depth of sink bowl 120 mm
 Inside corner radius 20 mm
 Material thickness 1,2 mm
 Inner dimensions 500 x 400 mm
 Outer dimensions 540 x 440 mm



60

Trendline EST-53KH - Black
200 / 330 x 400

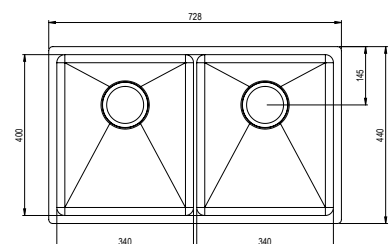
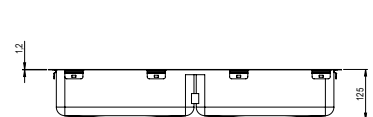
Art.nr. 618EST-53KH-02
 For cabinet size 600 mm
 Depth of sink bowl 120 mm
 Inside corner radius 20 mm
 Material thickness 1,2 mm
 Inner dimensions 200 / 330 x 400 mm
 Outer dimensions 578 x 440 mm



80

Trendline EST-80K - Black
340 / 340 x 400

Art. no. 618EST-80K-02
 For cabinet size 800 mm
 Depth of sink bowl 120 mm
 Inside corner radius 20 mm
 Material thickness 1,2 mm
 Inner dimensions 340 / 340 x 400 mm
 Outer dimensions 728 x 440 mm

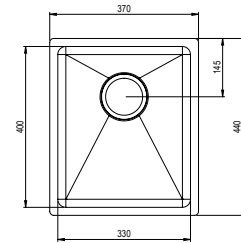
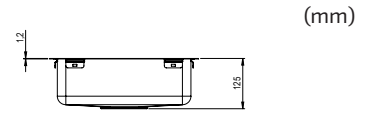


- All sinks are supplied with a basket waste, overflow drain and a water trap with a flexible hose



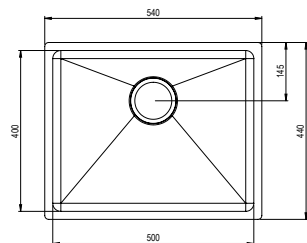
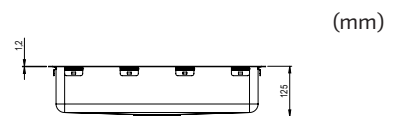
Trendline EST-330 - Gold
330 x 400

Art. no.	618EST-330-03
For cabinet size	400 mm
Depth of sink bowl	120 mm
Inside corner radius	20 mm
Material thickness	1,2 mm
Inner dimensions	330 x 400 mm
Outer dimensions	370 x 440 mm



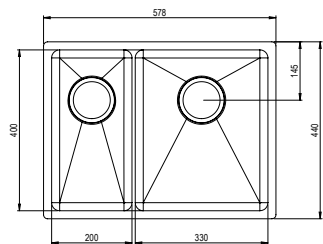
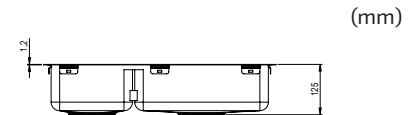
Trendline EST-500 - Gold
500 x 400

Art. no.	618EST-500-03
For cabinet size	600 mm
Depth of sink bowl	120 mm
Inside corner radius	20 mm
Material thickness	1,2 mm
Inner dimensions	500 x 400 mm
Outer dimensions	540 x 440 mm



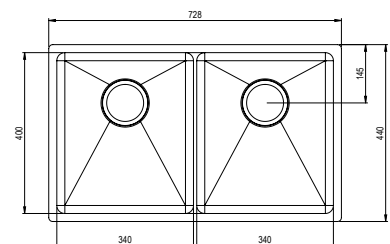
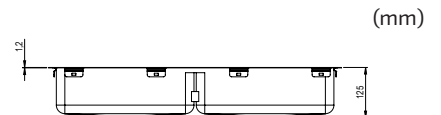
Trendline EST-53KH - Gold
200 / 330 x 400

Art.nr.	618EST-53KH-03
For cabinet size	600 mm
Depth of sink bowl	120 mm
Inside corner radius	20 mm
Material thickness	1,2 mm
Inner dimensions	200 / 330 x 400 mm
Outer dimensions	578 x 440 mm



Trendline EST-80K - Gold
340 / 340 x 400

Art. no.	618EST-80K-03
For cabinet size	800 mm
Depth of sink bowl	120 mm
Inside corner radius	20 mm
Material thickness	1,2 mm
Inner dimensions	340 / 340 x 400 mm
Outer dimensions	728 x 440 mm



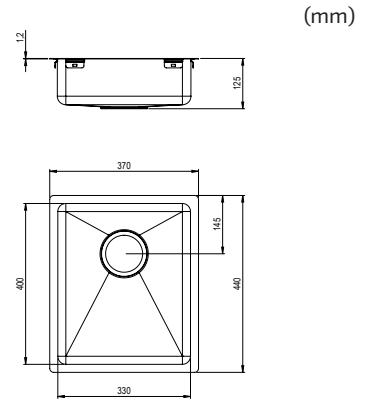
- All sinks are supplied with a basket waste, overflow drain and a water trap with a flexible hose



40

Trendline EST-330 - Copper
330 x 400

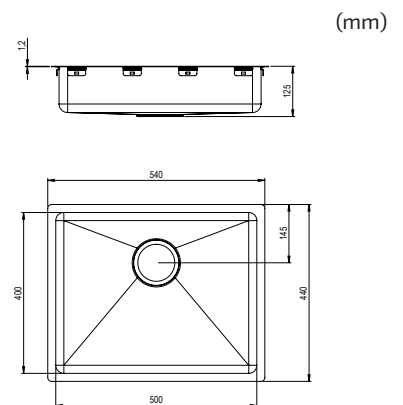
Art. no. 618EST-330-04
 For cabinet size 400 mm
 Depth of sink bowl 120 mm
 Inside corner radius 20 mm
 Material thickness 1,2 mm
 Inner dimensions 330 x 400 mm
 Outer dimensions 370 x 440 mm



60

Trendline EST-500 - Copper
500 x 400

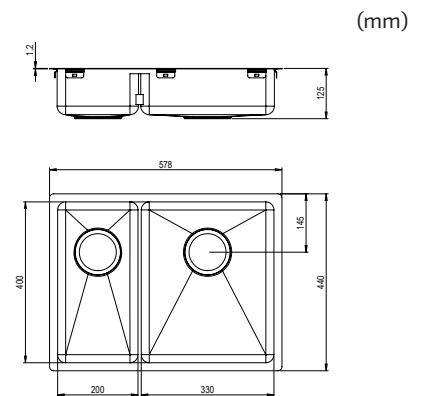
Art. no. 618EST-500-04
 For cabinet size 600 mm
 Depth of sink bowl 120 mm
 Inside corner radius 20 mm
 Material thickness 1,2 mm
 Inner dimensions 500 x 400 mm
 Outer dimensions 540 x 440 mm



60

Trendline EST-53KH - Copper
200 / 330 x 400

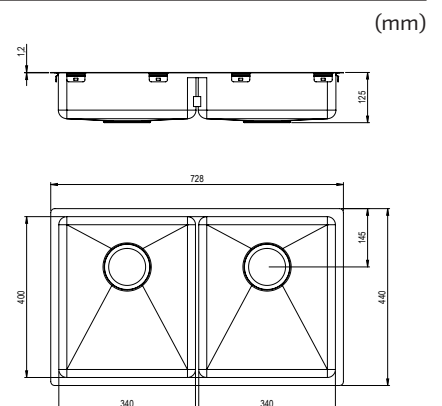
Art.nr. 618EST-53KH-04
 For cabinet size 600 mm
 Depth of sink bowl 120 mm
 Inside corner radius 20 mm
 Material thickness 1,2 mm
 Inner dimensions 200 / 330 x 400 mm
 Outer dimensions 578 x 440 mm



80

Trendline EST-80K - Copper
340 / 340 x 400

Art. no. 618EST-80K-04
 For cabinet size 800 mm
 Depth of sink bowl 120 mm
 Inside corner radius 20 mm
 Material thickness 1,2 mm
 Inner dimensions 340 / 340 x 400 mm
 Outer dimensions 728 x 440 mm



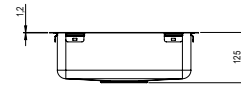
- All sinks are supplied with a basket waste, overflow drain and a water trap with a flexible hose



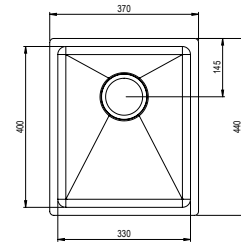
40

Trendline EST-330 - Bronze
330 x 400

Art. no. 618EST-330-05
 For cabinet size 400 mm
 Depth of sink bowl 120 mm
 Inside corner radius 20 mm
 Material thickness 1,2 mm
 Inner dimensions 330 x 400 mm
 Outer dimensions 370 x 440 mm



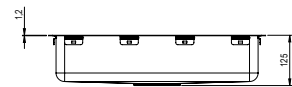
(mm)



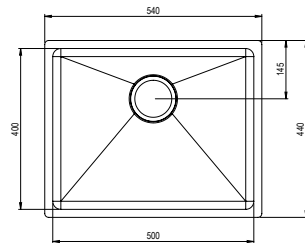
60

Trendline EST-500 - Bronze
500 x 400

Art. no. 618EST-500-05
 For cabinet size 600 mm
 Depth of sink bowl 120 mm
 Inside corner radius 20 mm
 Material thickness 1,2 mm
 Inner dimensions 500 x 400 mm
 Outer dimensions 540 x 440 mm



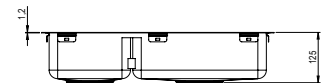
(mm)



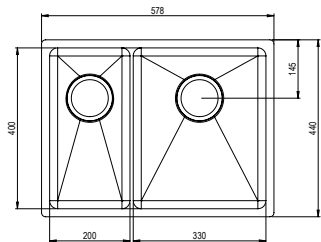
60

Trendline EST-53KH - Bronze
200 / 330 x 400

Art.nr. 618EST-53KH-05
 For cabinet size 600 mm
 Depth of sink bowl 120 mm
 Inside corner radius 20 mm
 Material thickness 1,2 mm
 Inner dimensions 200 / 330 x 400 mm
 Outer dimensions 578 x 440 mm



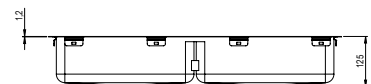
(mm)



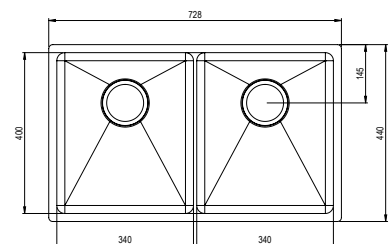
80

Trendline EST-80K - Bronze
340 / 340 x 400

Art. no. 618EST-80K-05
 For cabinet size 800 mm
 Depth of sink bowl 120 mm
 Inside corner radius 20 mm
 Material thickness 1,2 mm
 Inner dimensions 340 / 340 x 400 mm
 Outer dimensions 728 x 440 mm



(mm)



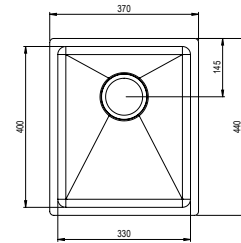
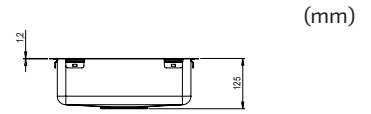
- All sinks are supplied with a basket waste, overflow drain and a water trap with a flexible hose



40

**Trendline EST-330 - Champagne
330 x 400**

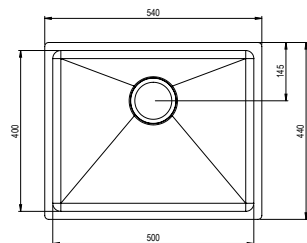
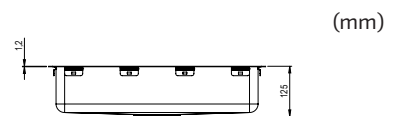
Art. no. 618EST-330-06
 For cabinet size 400 mm
 Depth of sink bowl 120 mm
 Inside corner radius 20 mm
 Material thickness 1,2 mm
 Inner dimensions 330 x 400 mm
 Outer dimensions 370 x 440 mm



60

**Trendline EST-500 - Champagne
500 x 400**

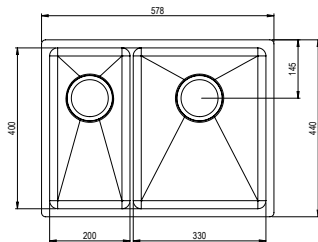
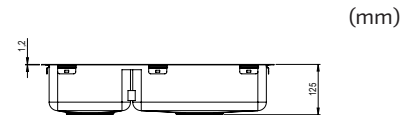
Art. no. 618EST-500-06
 For cabinet size 600 mm
 Depth of sink bowl 120 mm
 Inside corner radius 20 mm
 Material thickness 1,2 mm
 Inner dimensions 500 x 400 mm
 Outer dimensions 540 x 440 mm



60

**Trendline EST-53KH - Champagne
200 / 330 x 400**

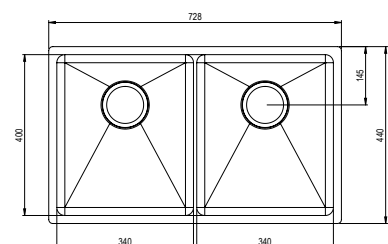
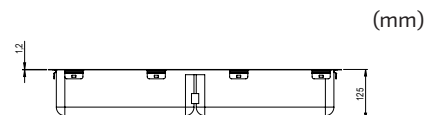
Art.nr. 618EST-53KH-06
 For cabinet size 600 mm
 Depth of sink bowl 120 mm
 Inside corner radius 20 mm
 Material thickness 1,2 mm
 Inner dimensions 200 / 330 x 400 mm
 Outer dimensions 578 x 440 mm



80

**Trendline EST-80K - Champagne
340 / 340 x 400**

Art. no. 618EST-80K-06
 For cabinet size 800 mm
 Depth of sink bowl 120 mm
 Inside corner radius 20 mm
 Material thickness 1,2 mm
 Inner dimensions 340 / 340 x 400 mm
 Outer dimensions 728 x 440 mm

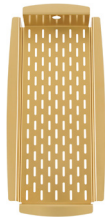




Stainless steel



Black



Gold



Copper



Bronze



Champagne

Small rinsing tray

The rinse bowl is durable, hygienic, versatile and made of high-quality stainless steel. The bottom is perforated where the water easily flows through so that you can easily rinse off your fruit, vegetables and dishes.

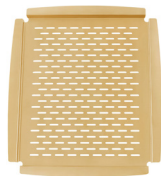
The deep design prevents unnecessary water spillage. You can also use the rinse bowl for thawing frozen food or as an extra work surface.

Dimensions: 200 x 430 x 70 mm (WxDxH)
Fits all models

Small rinsing tray, Stainless steel	618-050
Small rinsing tray, Black	618-050-02
Small rinsing tray, Gold	618-050-03
Small rinsing tray, Copper	618-050-04
Small rinsing tray, Bronze	618-050-05
Small rinsing tray, Champagne	618-050-06



Stainless steel



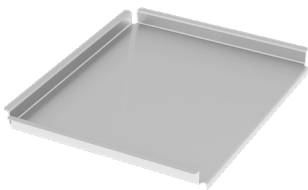
Gold

Large rinsing tray - for EST-500

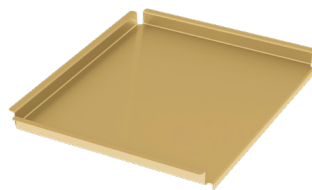
The tray is placed above the sink and provides an extra work surface for rinsing fruit and vegetables, thawing frozen goods or allowing washed plates and cutlery to drain. Made in robust, perforated stainless steel that is both hygienic and durable.

Dimensions: 355 x 440 mm (WxD)
Fits EST-500 only

Large rinsing tray, Stainless steel	618-051
Large rinsing tray, Gold	618-051-03



Stainless steel



Gold

Drying board - for EST-500

The drying board is placed on the sink to allow the user to dry their dishes or thaw frozen food. Made of robust stainless steel that is both hygienic and durable.

Dimensions: 355 x 440 mm (WxD)
Fits EST-500 only

Drying board, Stainless steel	618-052
Drying board, Gold	618-052-03

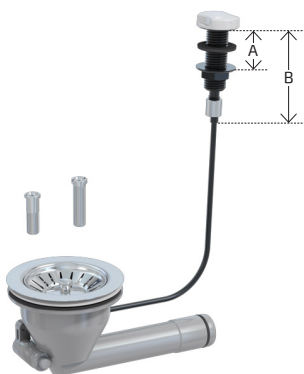


Chopping board

Swedish-made chopping board in oak. The chopping board has a milled chamfer on the underside to get a perfect fit for the sink bowl.

Dimensions: 310 x 420 mm (WxD)
Fits all models

Chopping board, Oak	618-053
---------------------	---------



Single rotary valve for sink bowl

With the rotary waste valve, the drain is opened and closed using a button that should be recessed into the surface of the sink / work surface or fascia front.

Only suitable for single bowl configurations
Maximum thickness (A): 45 mm
Height (B): 80 mm
Length of control cable: 560 mm

	618-060
--	---------



SINCE 1870

GRANBERG



GRANBERG

GRANBERG INTERIOR AB
Importgatan 30
602 28 Norrköping
Sweden
Tel: +46 (0)11-19 77 50
Email: info@granberg.se
Internet: www.granberg.se

GRANBERG UNITED KINGDOM
Bellamy House Winton Road
Petersfield, Hampshire GU32 3HA
United Kingdom
Tel: +44 (0)800 0470 027
Email: info@granberg-uk.co.uk
Internet: www.granberg-uk.co.uk

SINCE 1870

