

Height Adjustable Wardrobe Rails

- Butler motorised wardrobe rails



The story began as early as 1870 in Ringarum, Sweden, when Otto Granberg built his first chairs. He sold these chairs at the local market. Business went well and Otto's joinery began mass-producing furniture. The factory soon relocated to Norrköping and expanded their range with windows, doors and staircases. After almost 30 years, Otto's son, Frans, took over the company. He followed in his father's footsteps, but also produced school furniture and interior joinery products. Just over thirty years later, Frans handed over the company to his sons, Nils, Bängt, Oscar and Erik. They continued to run the company the way their father and grandfather had.

Granberg quickly became known for the lifetime guarantee of its products. The quality was high and if anything were to break, the sons ensured it was repaired or replaced. A promise that still applies to this day. Personal service and reliable products. 90 years after Otto began making chairs, the company changed direction and Granberg's modern history began in 1960. The company started to develop products for the disabled and today is a world leader within this sector.



Quality has been an important part of our brand ever since Otto Granberg founded our company back in 1870. As a family business we are proud of the products we create. We therefore only supply quality products that we know well and with which we have been working for many years. We always provide a 2 year warranty for our products in order to make our customers feel even more secure.

For your safety, we work solely with CE marked lifting systems that have undergone risk analyses and tests. Our lifting systems are based on proven technology and have a built-in safety system that stops the moving parts if anything is in the way.





SINCE 1870

GRANBERG

Butler 720

Electric wardrobe lift

The top part of a wardrobe is inaccessible for a person in a wheelchair but with the help of BUTLER 720, the clothes can be lowered to a comfortable position by simply pressing a button.

Wire crates can be placed in the lower part which provides efficient storage that is accessible for everyone.







Functions and advantages

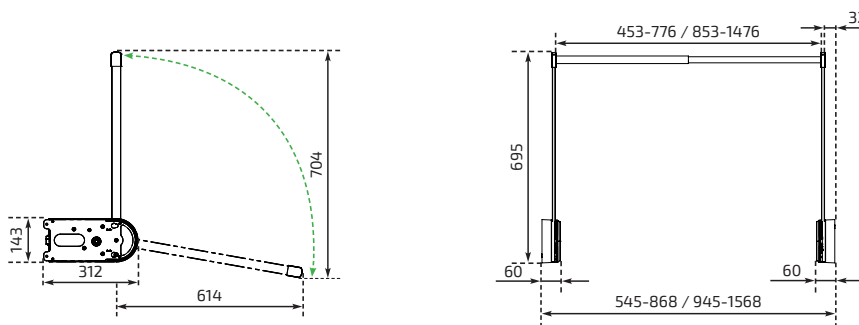
- Motorised clothes rod, adjustable 70.4 cm downwards
- Maximum load 30 kg
- Telescopic clothes rod for cabinet with inner dimensions 54.5 to 156.8 cm
- Modern and discreet design
- Collision protection stops the lowering of the wardrobe rail if it comes into contact with any object
- Silent motors that take up little space

Specifications

Type of lift	Electric wardrobe lift that lowers the clothes rod in front of the wardrobe
Adjustability	Motorised clothes rod, steplessly adjustable 704 mm downwards, 614 mm outwards
Speed	47 mm/sec.
Manoeuvring	Remote control or wired manoeuvre device
Electricity connection	Plug for 100-240VAC, 50/60hz, 2.0 A
Maximum load on clothes rod	30 kg
Fits cabinets with width	600-900 mm / 1000-1600 mm
Materials	Chromed steel parts, plastic cover
Noise level	52 dB
Warranty	2 year
	CE

Measurement data

(mm)



Butler 720-White

-Cover of white plastic RAL 9003, chromed steel parts



Cabinet width (cm)	
60,0 - 90,0	720-060-01
100,0 - 160,0	720-100-01

Butler 720-Grey

- Cover of grey plastic RAL 7035, chromed steel parts



Cabinet width (cm)	
60,0 - 90,0	720-060-06
100,0 - 160,0	720-100-06

Butler 720-Black

- Cover of black plastic RAL 9005, chromed steel parts



Cabinet width (cm)	
60,0 - 90,0	720-060-10
100,0 - 160,0	720-100-10

Radio control - Hand control

Dimensions: 38 x 110 x 10 mm



For 1 lift	61255
For 2 lifts	61256
For 3 lifts	61257
For 4 lifts	61258
For 5 lifts	61259

Control button in ALU-design

Wired, for recessed mounting
Dimensions: 82 x 82 x 17 mm



	61251
--	-------

Extension frame for aluminium button

Enables surface mounting of aluminium buttons.
Colour: White
Dimensions: 82 x 82 x 52 mm



	61355
--	-------

Butler 722

Electric wardrobe lift

With BUTLER 722, the height of the wardrobe can be used to the full. A simple push of a button lowers the clothes rod by 112 cm.

A person of normal height can easily reach up to 190 cm which means the clothes rod in its upper position can be 300 cm above the floor. Thus, the lower part of the wardrobe can be used for another clothes rod or other form of storage.







Functions and advantages

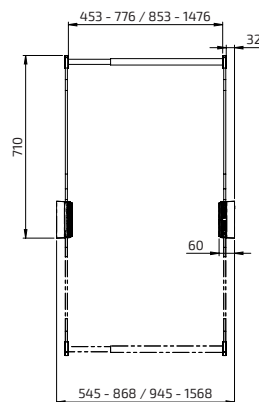
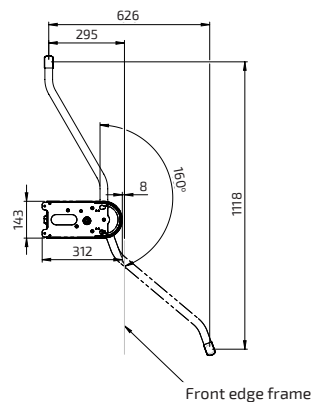
- Motorised adjustable clothes rod, 111.8 cm downwards
- Maximum load 30 kg
- Telescopic clothes rod for cabinet with inner dimensions 54.5 to 156.8 cm
- Modern and discreet design
- Collision protection stops the lowering of the wardrobe rail if it comes into contact with any object
- Silent motors that take up little space

Specifications

Type of lift	Electric wardrobe lift that lowers the clothes rod in front of the wardrobe
Adjustability	Motorised clothes rod, steplessly adjustable 1118 mm downwards, 626 mm outwards
Speed	47 mm/sec.
Manoeuvring	Remote control or wired manoeuvre device
Electricity connection	Plug for 100-240VAC, 50/60hz, 2.0 A
Maximum load on clothes rod	30 kg
Fits cabinets with width	600-900 mm/1000-1600 mm
Materials	Powder-lacquered steel parts, plastic cover, chromed clothes rod
Noise level	52 dB
Warranty	2 year
	CE

Measurement data

(mm)



Butler 722-White

- Cover of white plastic RAL 9003, powder-lacquered arms RAL 9003, chromed clothes rod

Cabinet width (cm)	
60,0 - 90,0	722-060-01
100,0 - 160,0	722-100-01



Butler 722-Grey

- Cover of grey plastic RAL 7035, powder-lacquered arms RAL 7035, chromed clothes rod

Cabinet width (cm)	
60,0 - 90,0	722-060-06
100,0 - 160,0	722-100-06



Butler 722-Black

-Cover of black plastic RAL 9005, powder-lacquered arms RAL 9005, chromed clothes rod

Cabinet width (cm)	
60,0 - 90,0	722-060-10
100,0 - 160,0	722-100-10



Radio control - Hand control

Dimensions: 38 x 110 x 10 mm



For 1 lift	61255
For 2 lifts	61256
For 3 lifts	61257
For 4 lifts	61258
For 5 lifts	61259

Control button in ALU-design

Wired, for recessed mounting
Dimensions: 82 x 82 x 17 mm



	61251
--	-------

Extension frame for aluminium button

Enables surface mounting of aluminium buttons.
Colour: White
Dimensions: 82 x 82 x 52 mm



	61355
--	-------



GRANBERG

GRANBERG INTERIOR AB
Importgatan 30
602 28 Norrköping
Sweden
Tel: +46 (0)11-19 77 50
Email: info@granberg.se
Internet: www.granberg.se

GRANBERG UNITED KINGDOM
Bellamy House Winton Road
Petersfield, Hampshire GU32 3HA
United Kingdom
Tel: +44 (0)800 0470 027
Email: info@granberg-uk.co.uk
Internet: www.granberg-uk.co.uk

SINCE 1870

